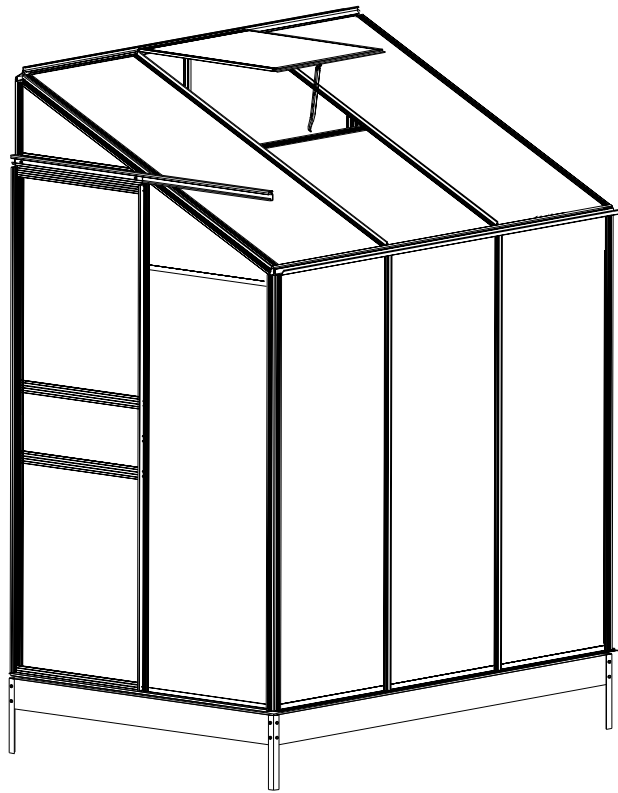



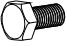

## Assembly instruction

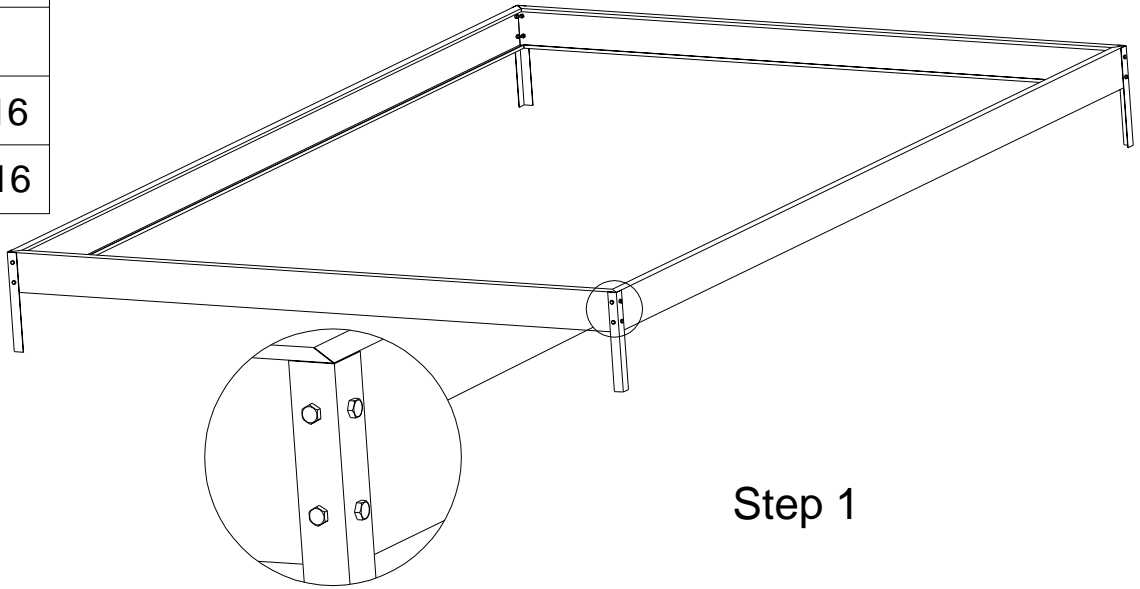


MODEL:GM3043-6

PRODUCT SIZE(LxWxH):190X128X205CM

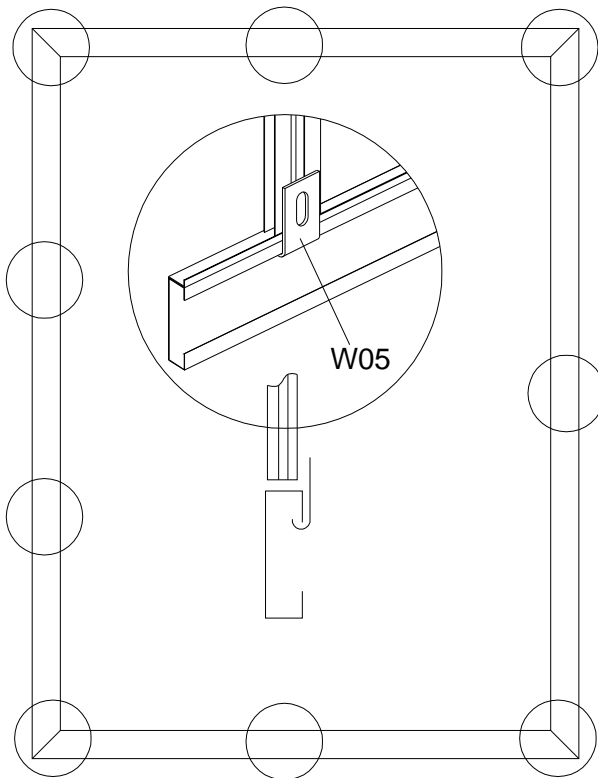
PLEASE READ CAREFULLY BEFORE ASSEMBLY

Part	NO.	QTY.
	W05	9
	S01	16
	M01	16

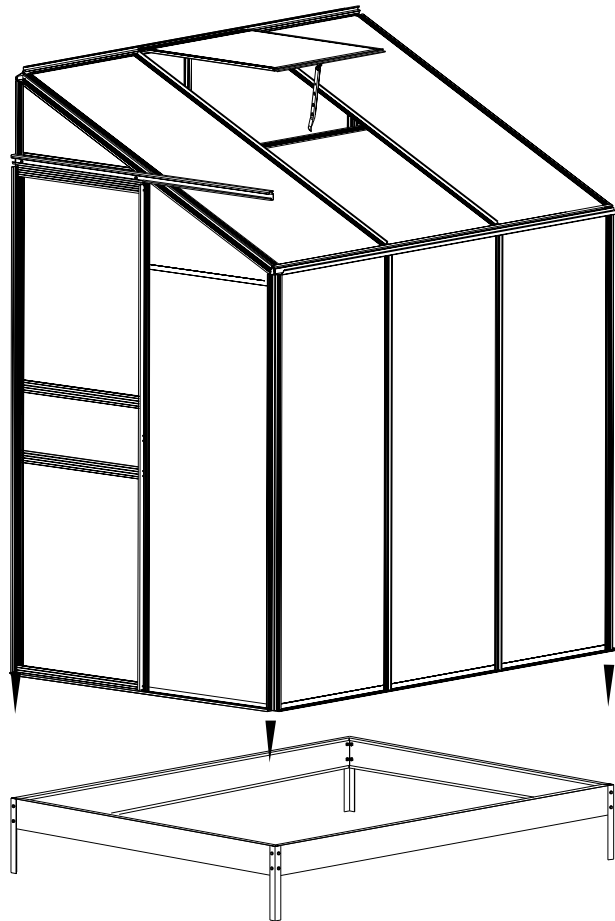


### Step 1

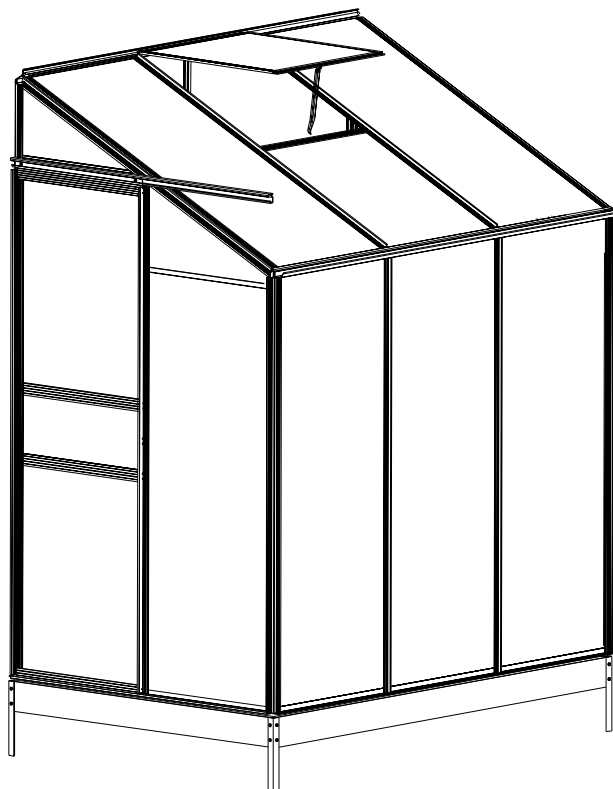
When fixing the greenhouse with the base, please loosen the screws of the greenhouse and then fix the W05 with it. There are no extra screws for the base.



### Step 2



Step 3



Step 4

(P2) Assembly

Part	NO.	QTY.
	L18A	2
	L15	1
	L16B	2
	L17	1

(P8~P11) Assembly

PART	NO.	Qty.
	L01D	1
	L01E	1
	L01F	1
	L03A	1
	L03B	1
	L04A	1
	L05A	1
	L05B	1
	L10	1
	L14	1

PARTS

PART	NO.	Qty.
	W02	2
	W03	1
	W04	4
	S01 M6X12	50
	M01 M6	52
	S02 M6X20	2
	Z03 Ø4X10	4
	Z02 Ø4X14D	4
	Z01 Ø4X25	16
	W06	1
	W08	1
	J02R/L	1/1
	J03R/L	1/1
	J04	1

Polycarbonate

PART	NO.	Qty.
	Y1	1
	Y2	3
	Y3	1
	Y4	1
	Y5	1
	Y6	3
	Y7	2
	Y9	1
	Y10	1
	Y11	2
	Y12	1

(P3) Assembly

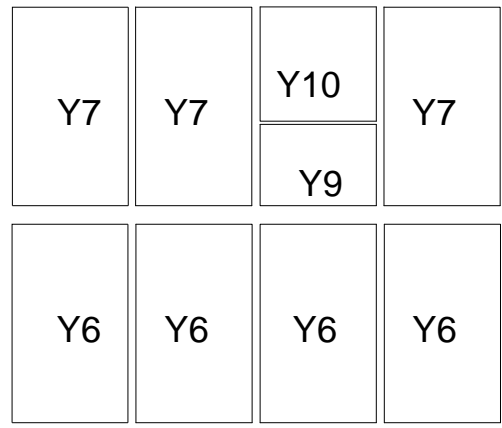
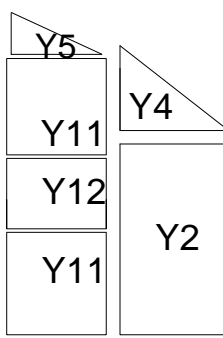
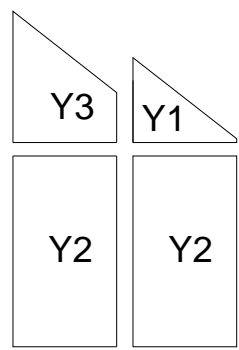
PART	NO.	Qty.
	L19	2
	L20	1
	L21	1



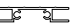

(P4~P7) Assembly

PART	NO.	Qty.
	L01A	1
	L01B	1
	L01C	1
	L03B	2
	L02C	1
	L05E	1
	L05A	1
	L08A	1

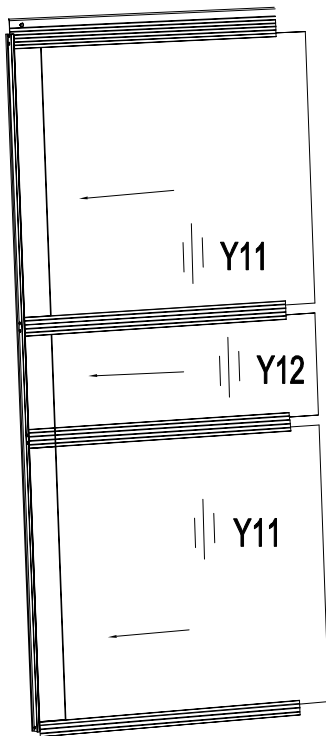
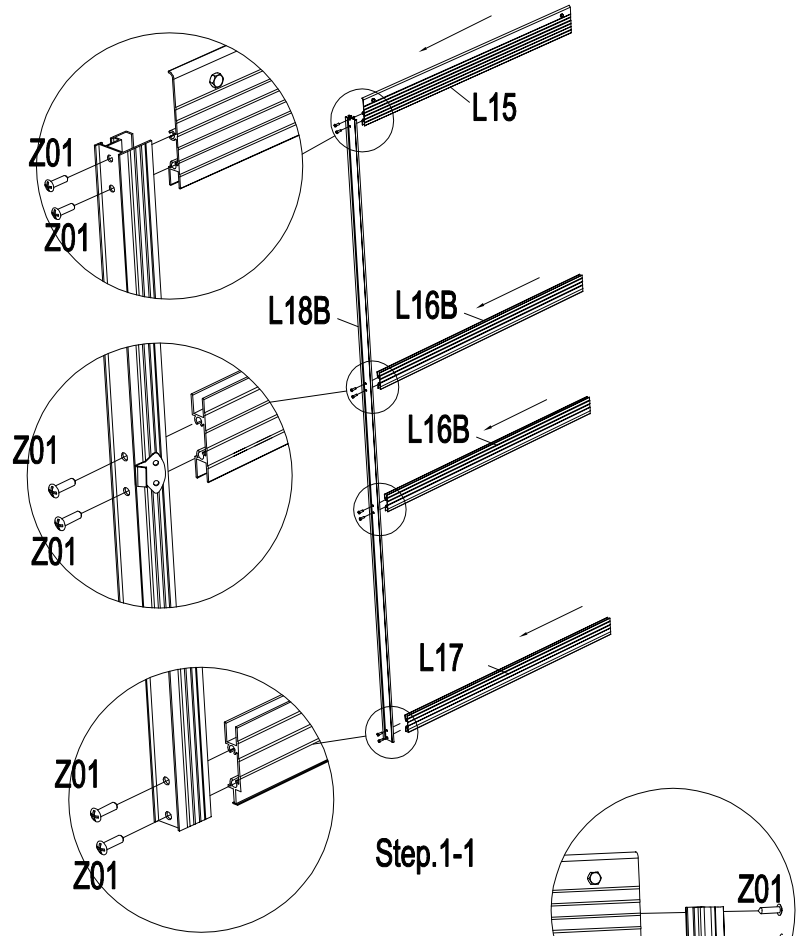
(P12~P18) Assembly

PART	NO.	Qty.
	L08B	1
	L07	1
	L06	1
	L09	1
	L05C	2
	L05D	2
	L02A	2
	L02B	2
	L03D	1
	L03B	1

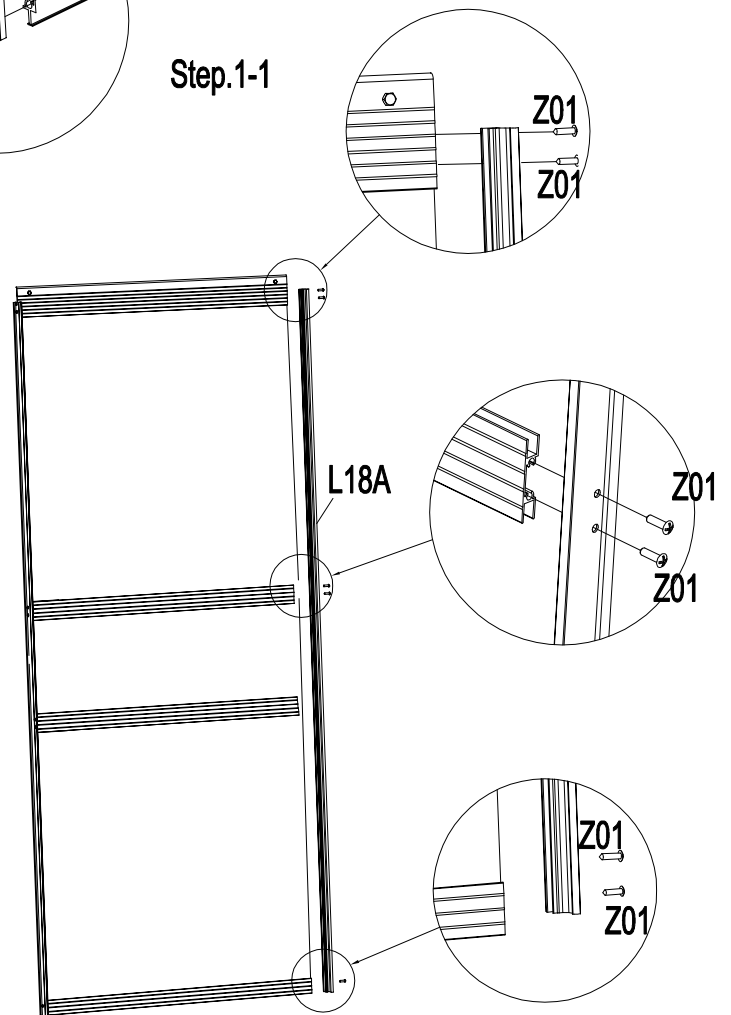


Part	NO.	QTY.
	L18A	2
	L15	1
	L16B	2
	L17	1

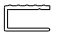
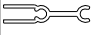
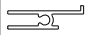
## P2 Door1 Frame Assembly



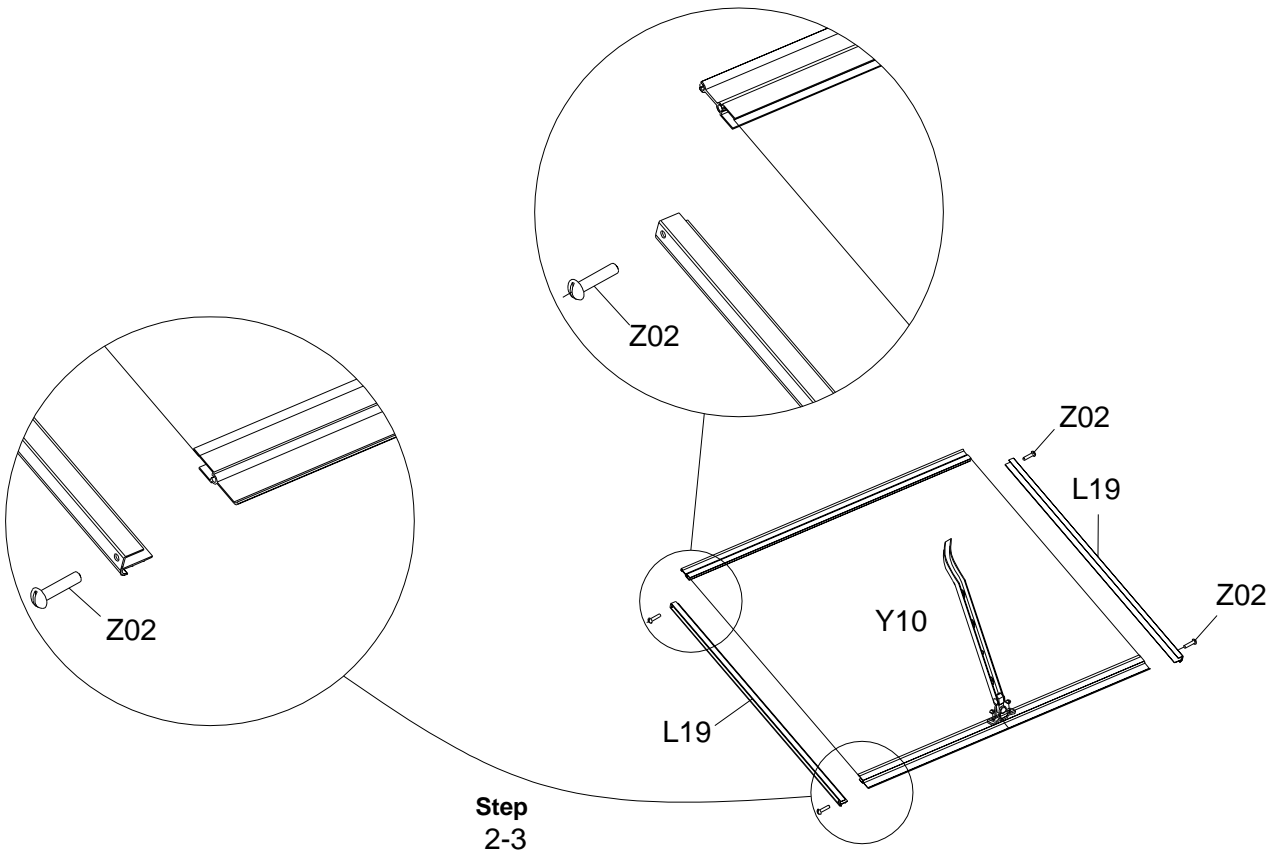
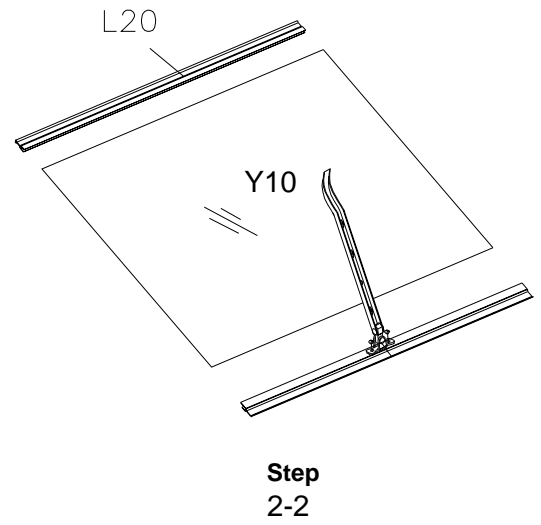
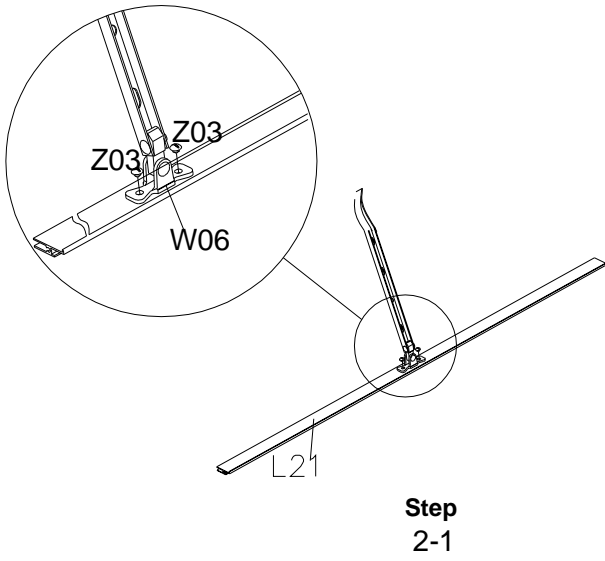
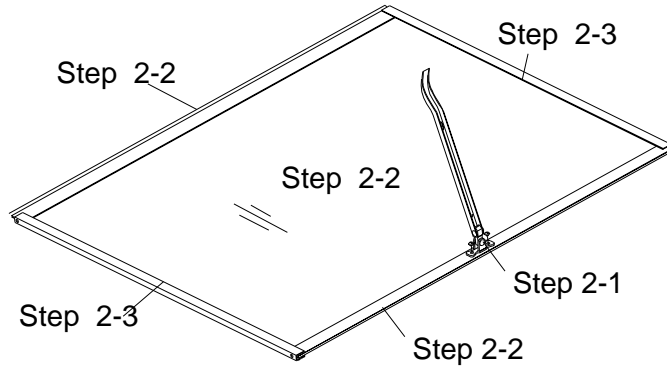
Step.1-2


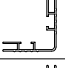
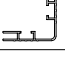







Step.1-3

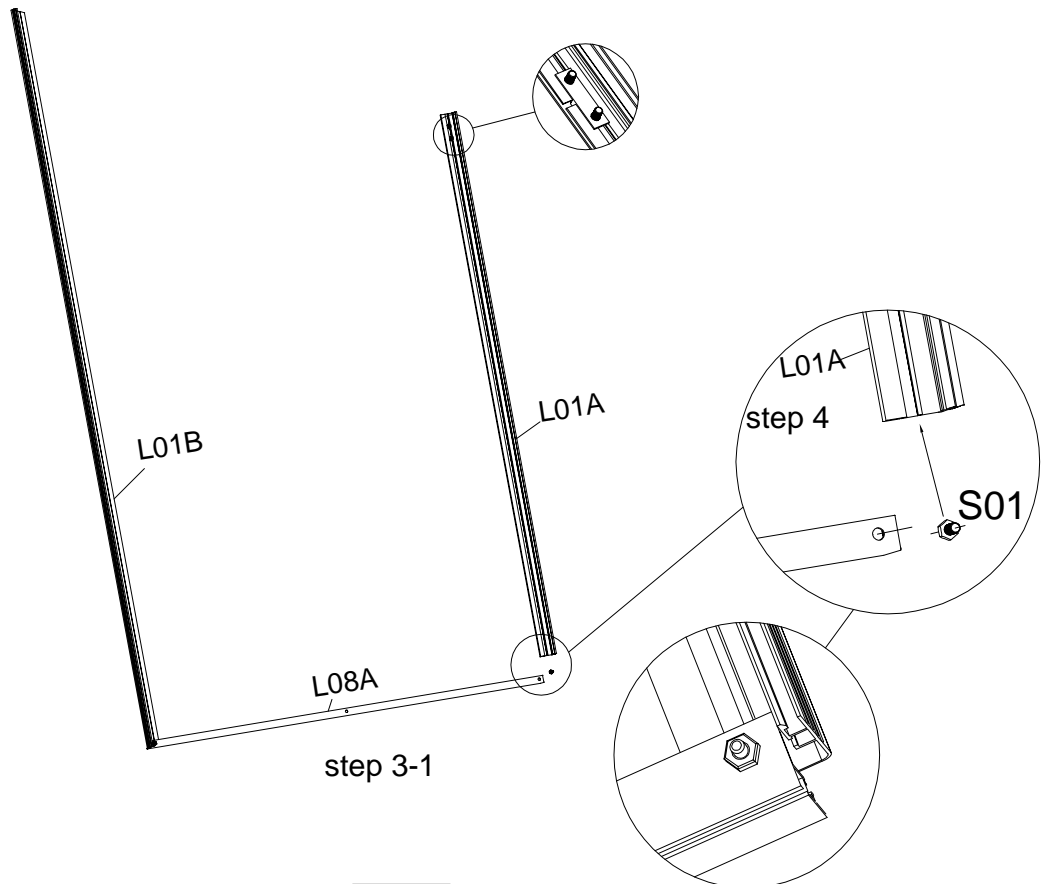
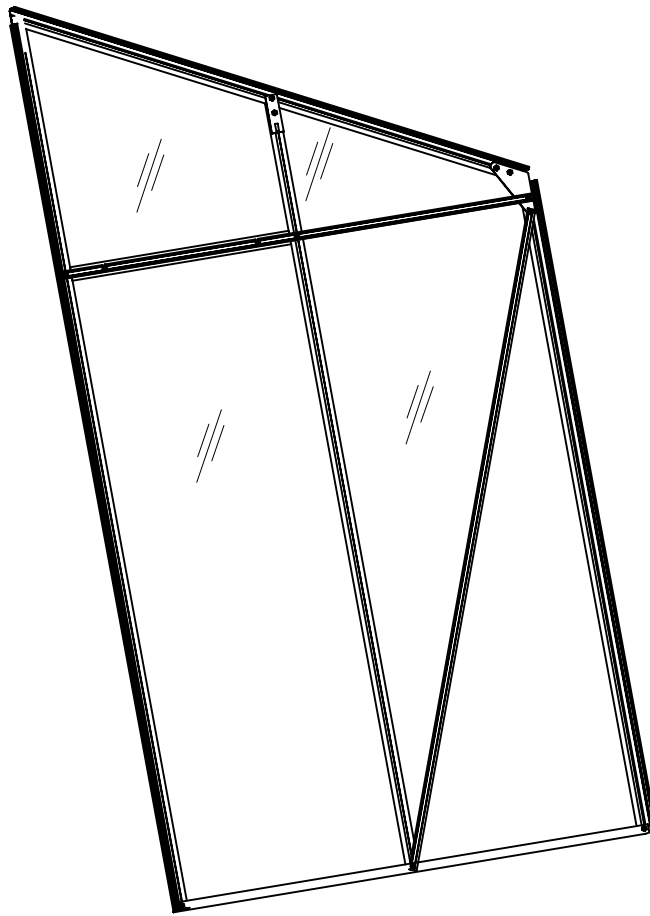
PART	NO.	Qty.
	L19	2
	L20	1
	L21	1

P3 Window Frame Assembly

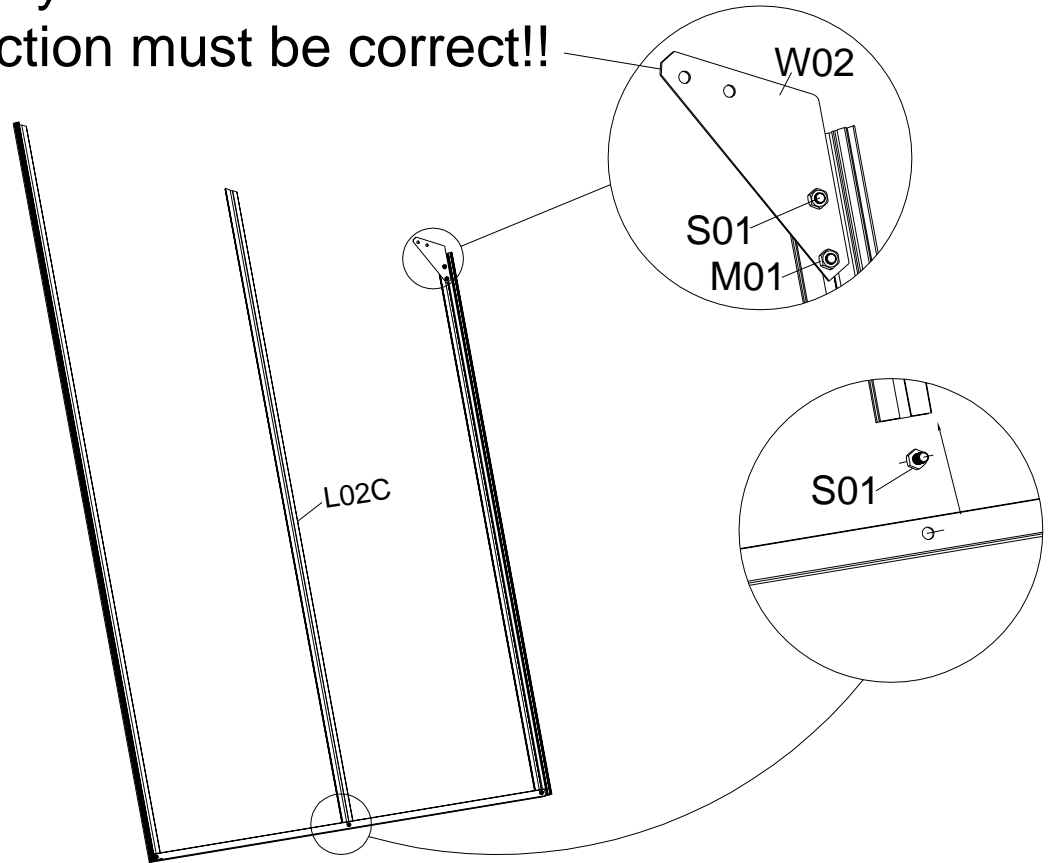


PART	NO.	Qty.
	L01A	1
	L01B	1
	L01C	1
	L03B	2
	L02C	1
	L05E	1
	L05A	1
	L08A	1

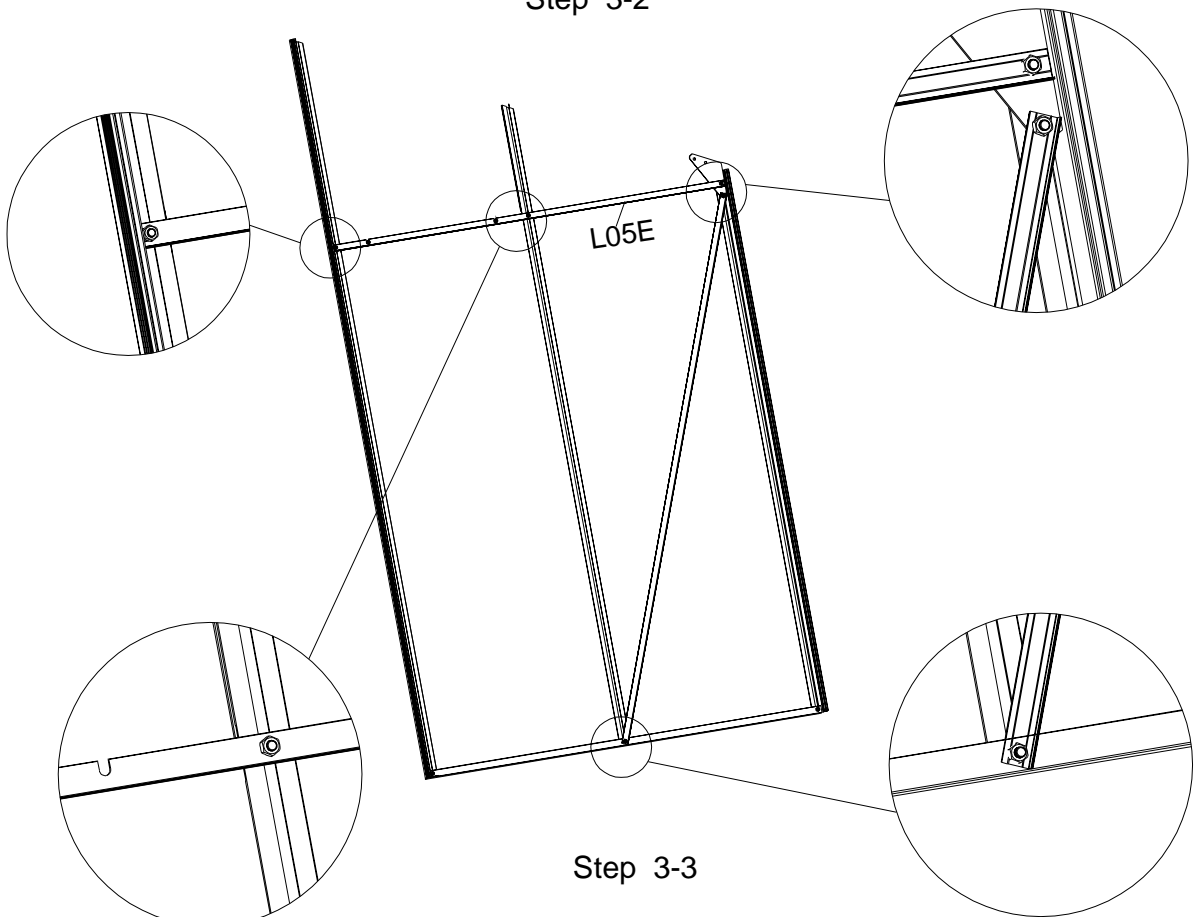
(P4~P7) Rear Frame Assembly



Please pay attention to the cut corner.  
The direction must be correct!!

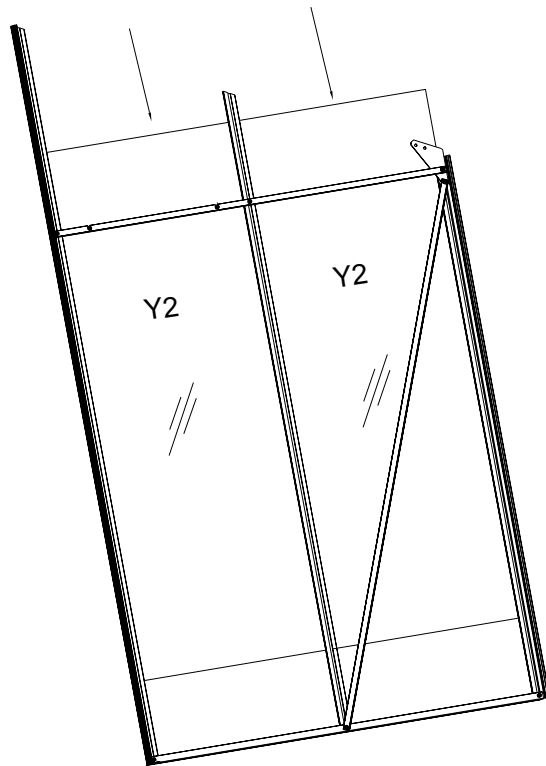


Step 3-2

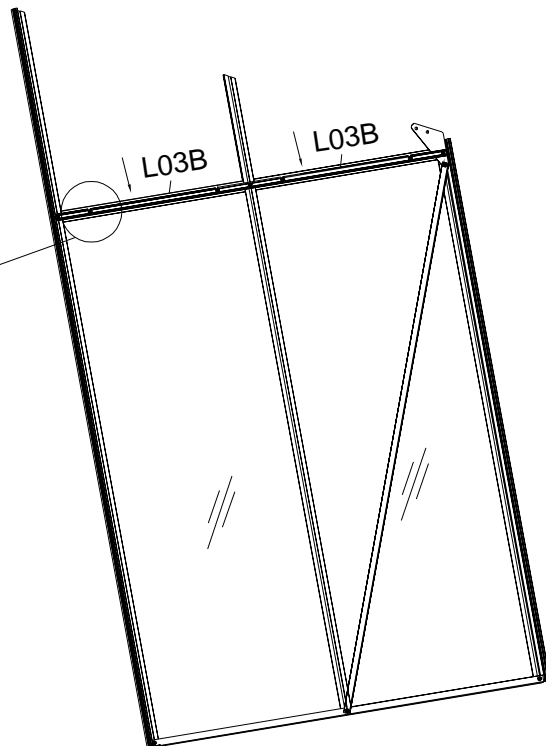
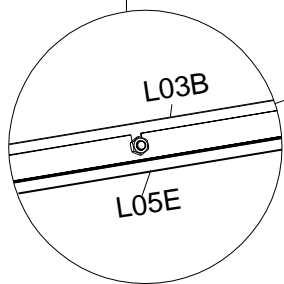
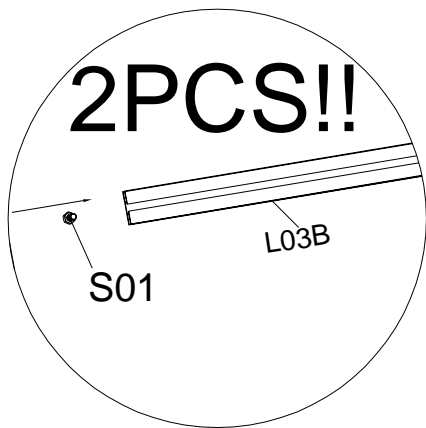


Step 3-3

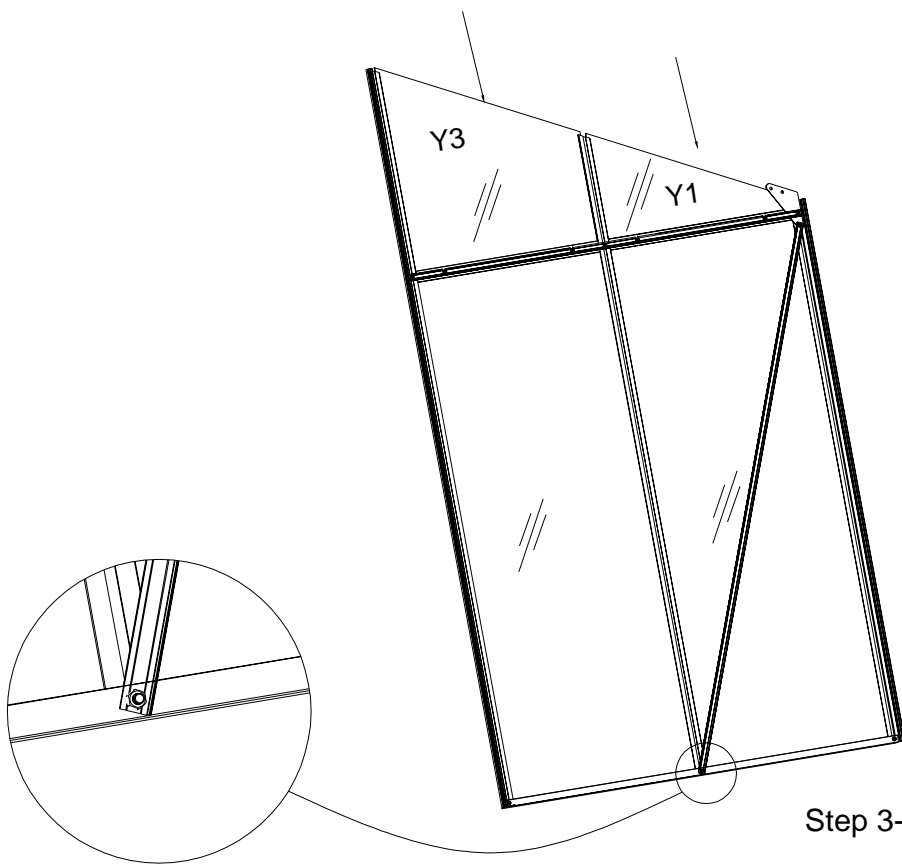




Step 3-4

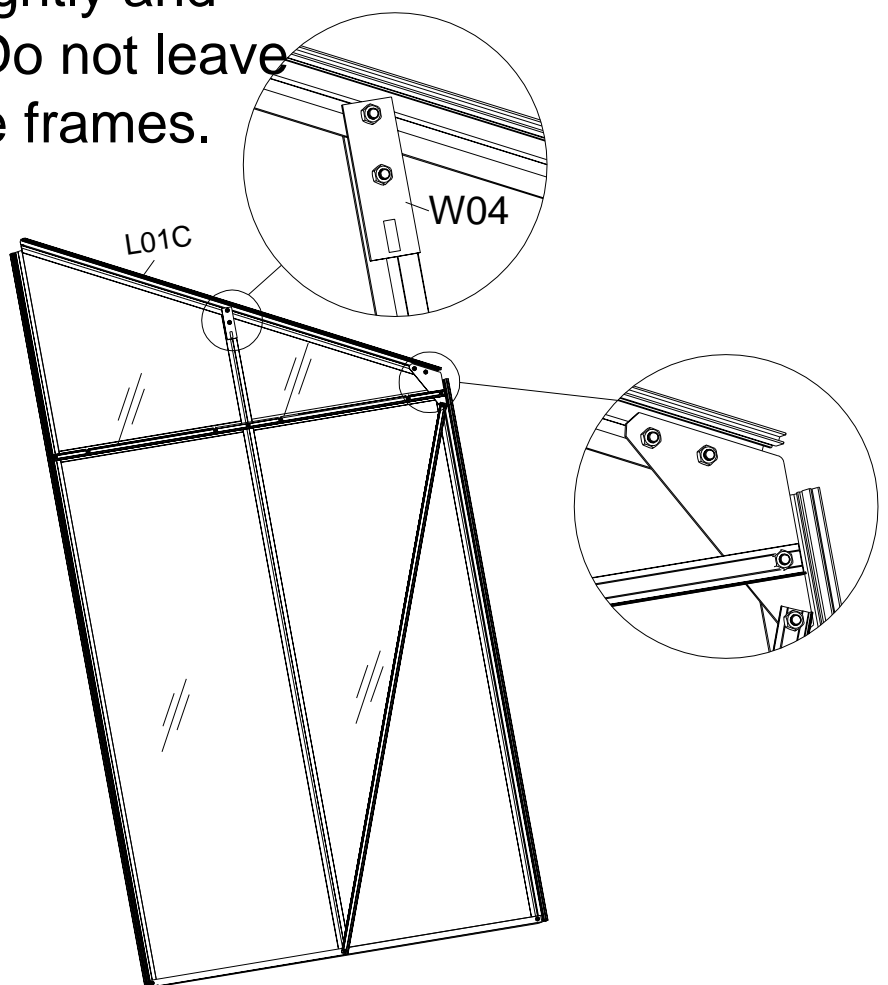


Step 3-5



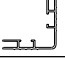
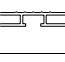

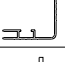






Step 3-6

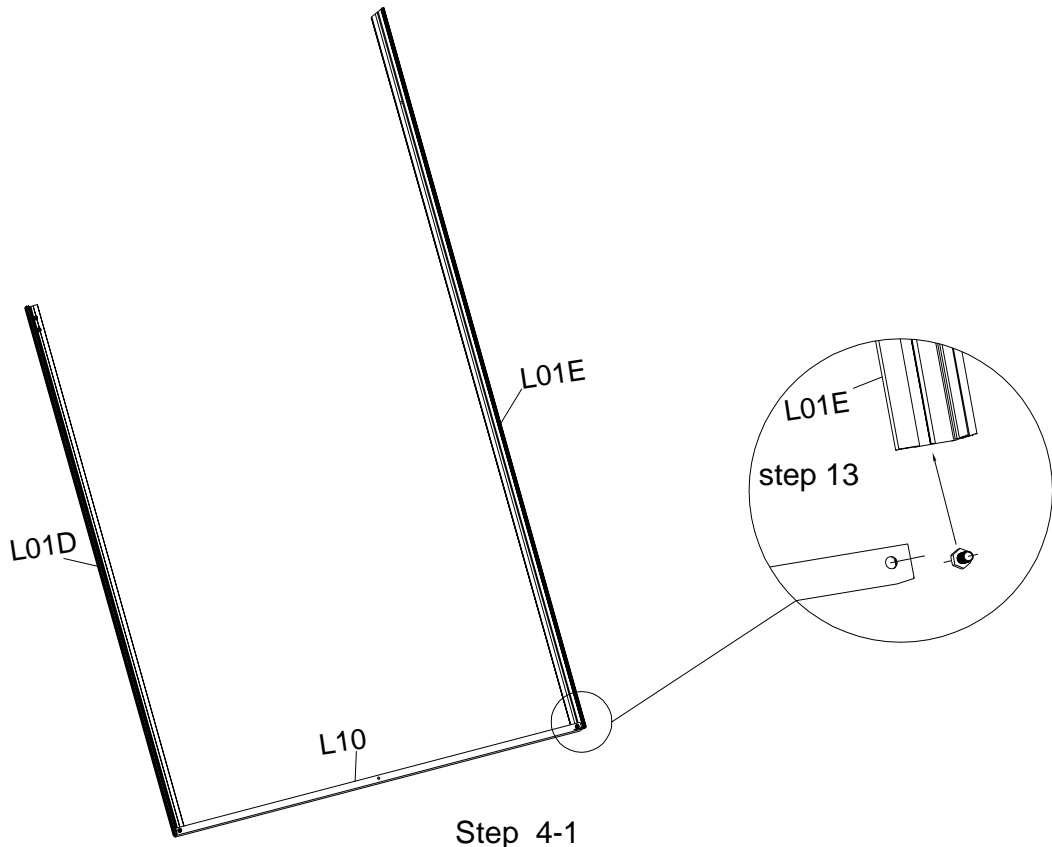
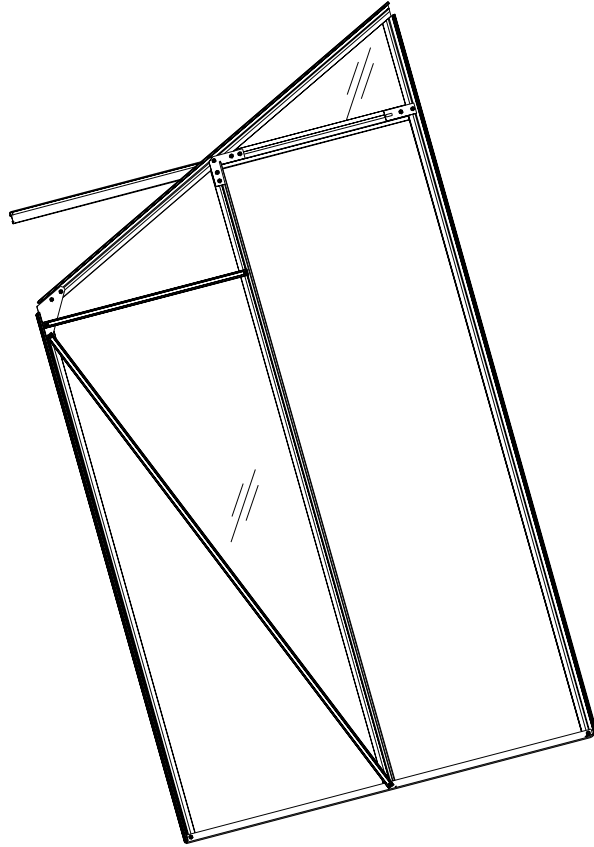
Frames must be put tightly and correctly using W04. Do not leave big space between the frames.



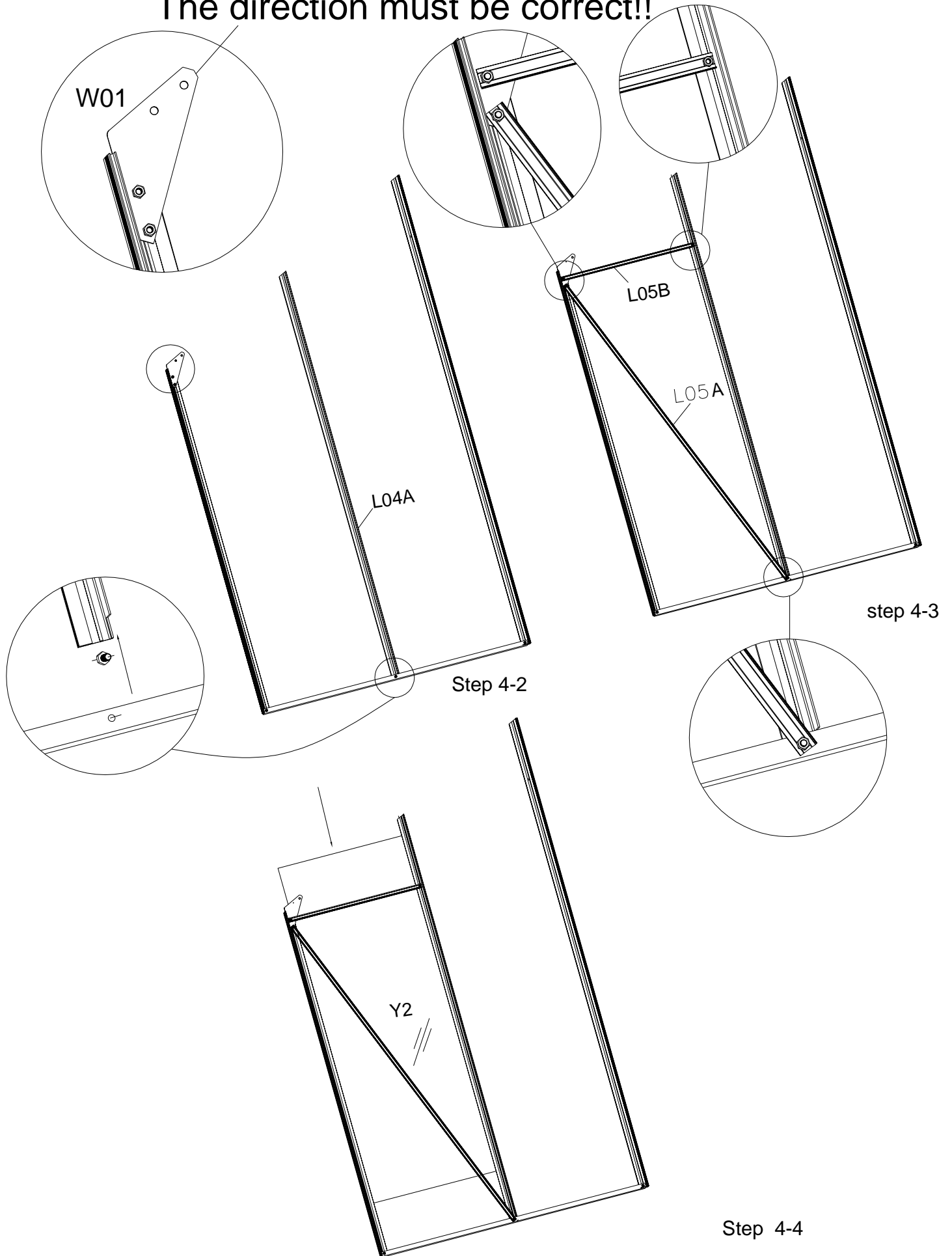
Step 3-7

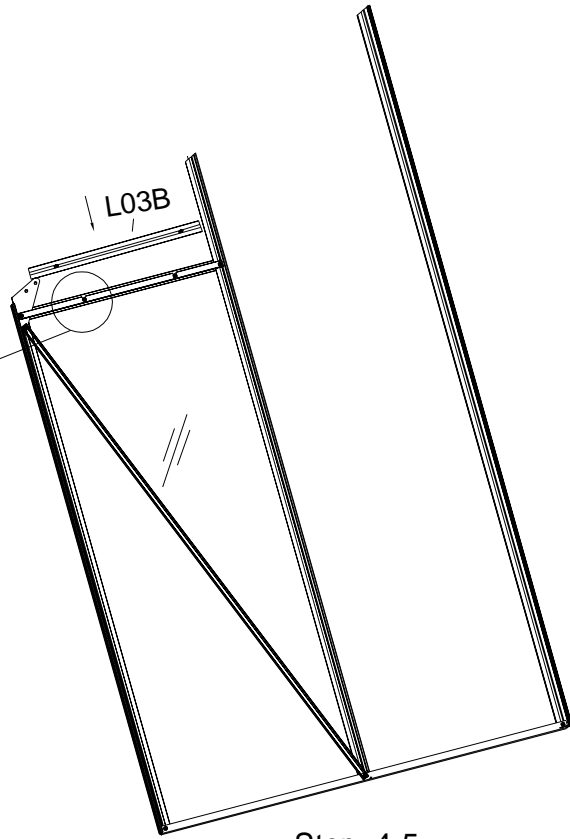
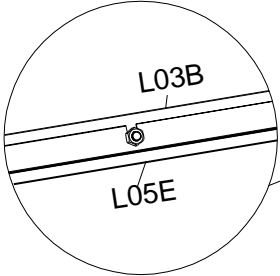
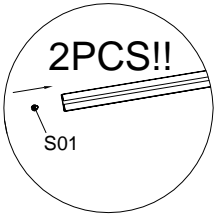
PART	NO.	Qty.
	L01D	1
	L01E	1
	L01F	1
	L03A	1
	L03B	1
	L04A	1
	L05A	1
	L05B	1
	L10	1
	L14	1

(P8~P11) Assembly

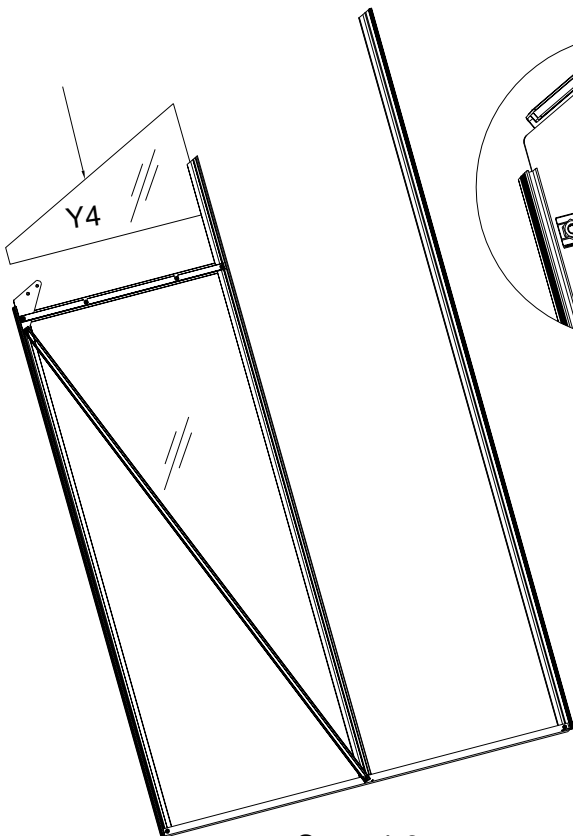
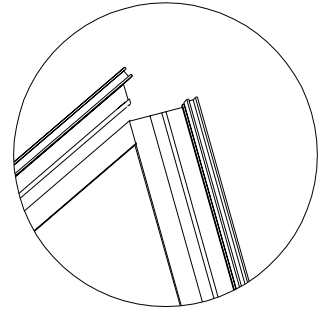


Please pay attention to the cut corner.  
The direction must be correct!!

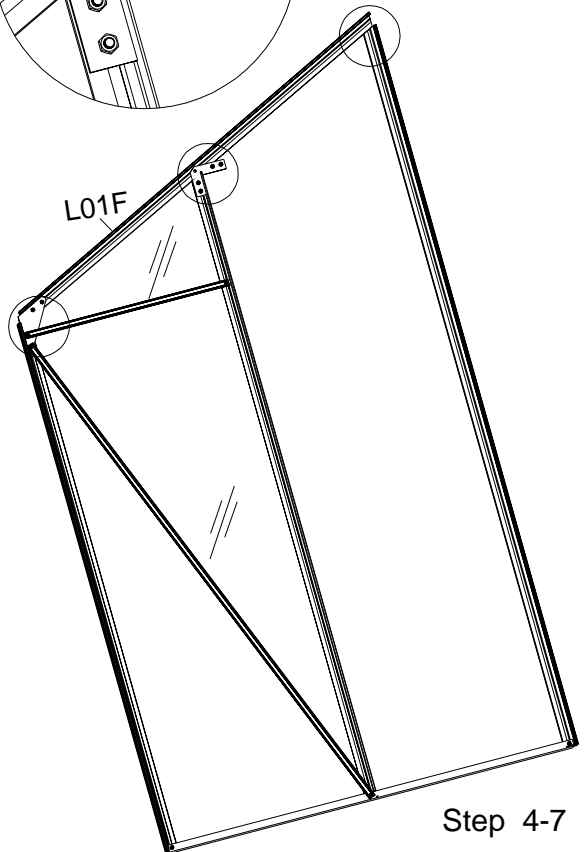
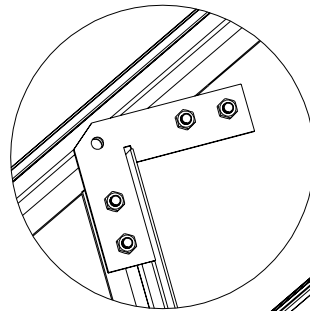
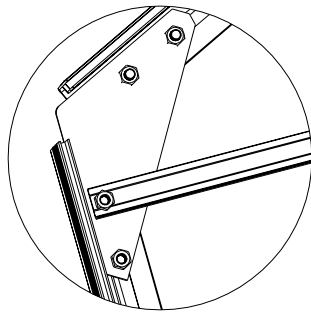




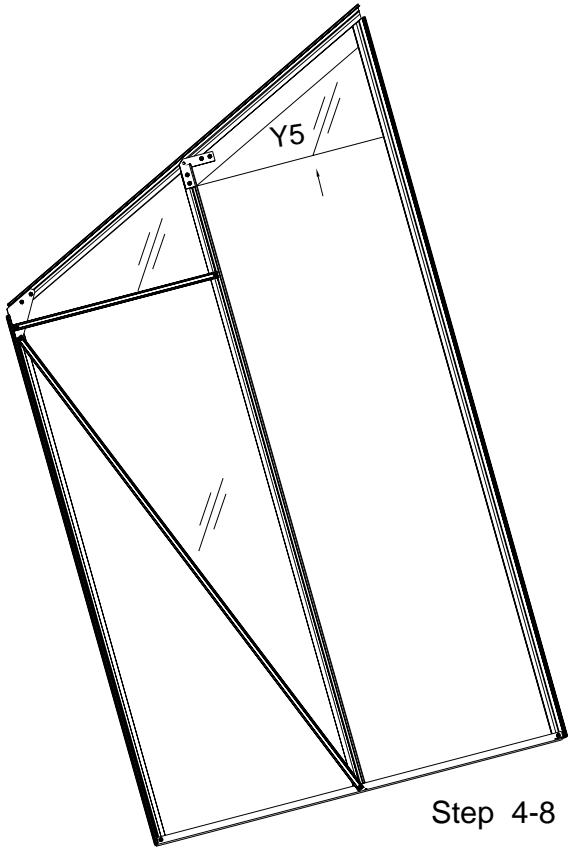
Step 4-5



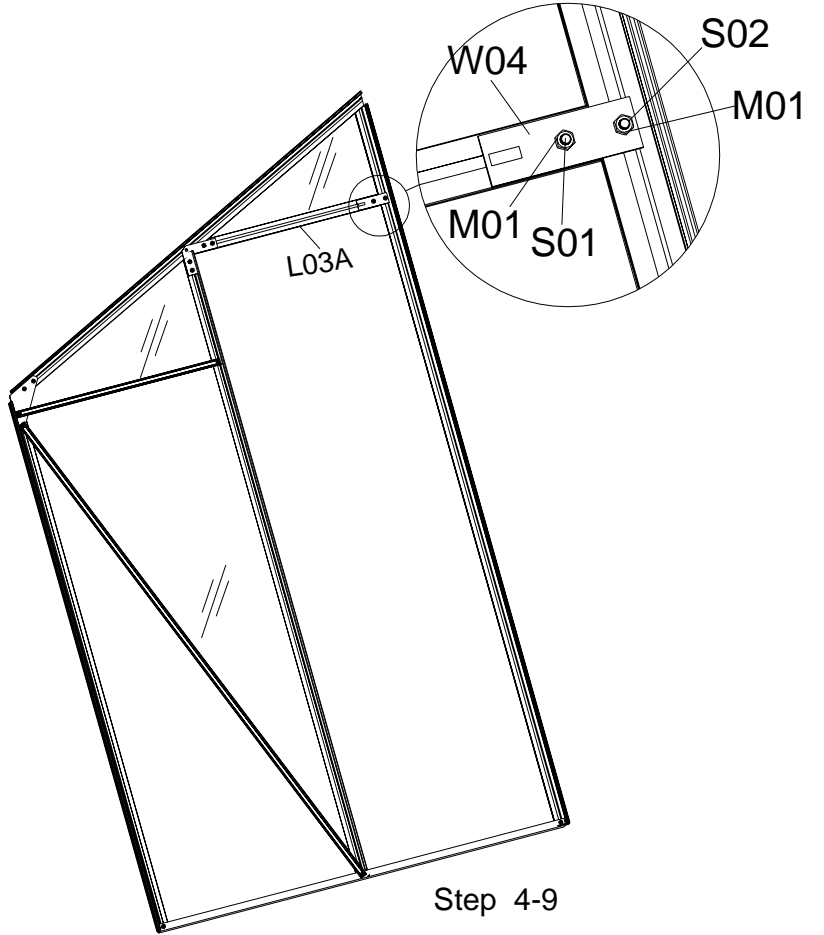
Step 4-6



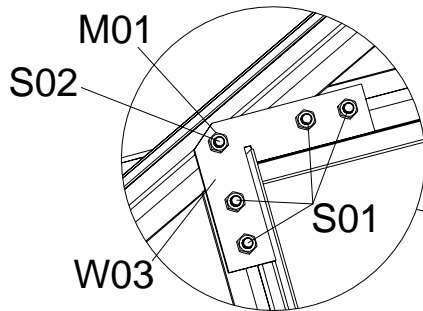
Step 4-7



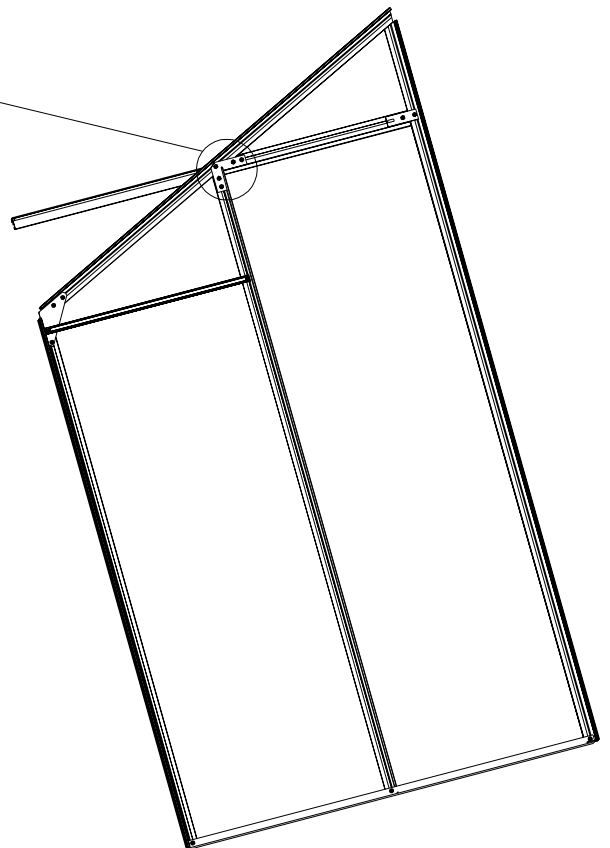
Step 4-8



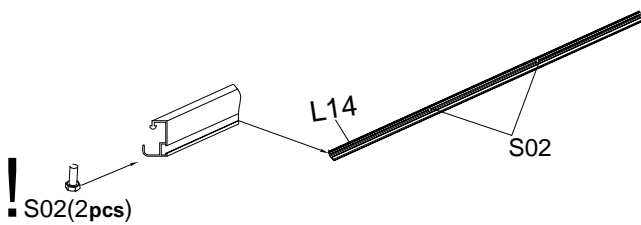
Step 4-9









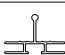
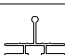
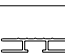

Use S02 and M01 to fix the W03's position correctly.



Step 4-11

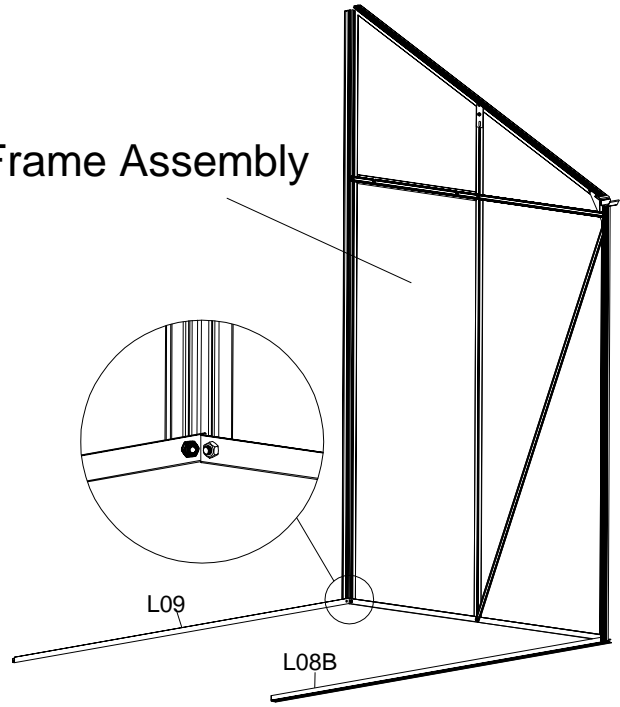


Step 4-10

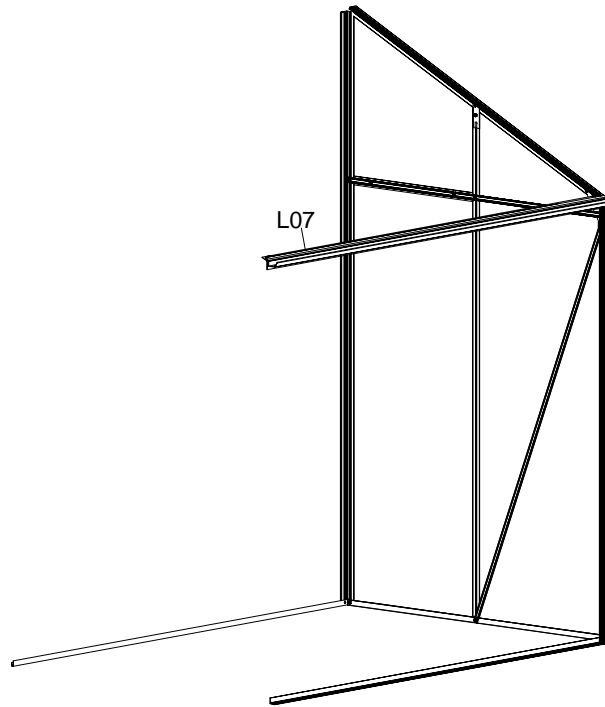
Part	NO.	QTY.
	L08B	1
	L07	1
	L06	1
	L09	1
	L05C	2
	L05D	2
	L02A	2
	L02B	2
	L03D	1
	L03B	1

(P12~P19) Assembly

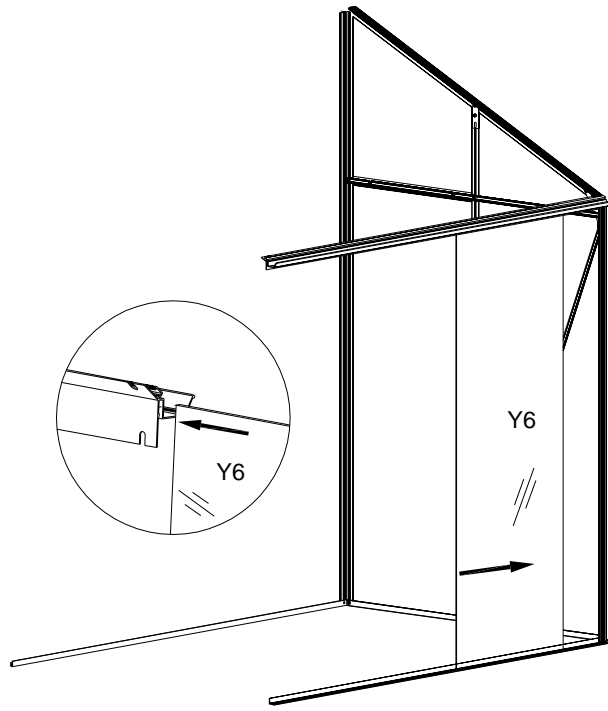
(P4~P7) Rear Frame Assembly



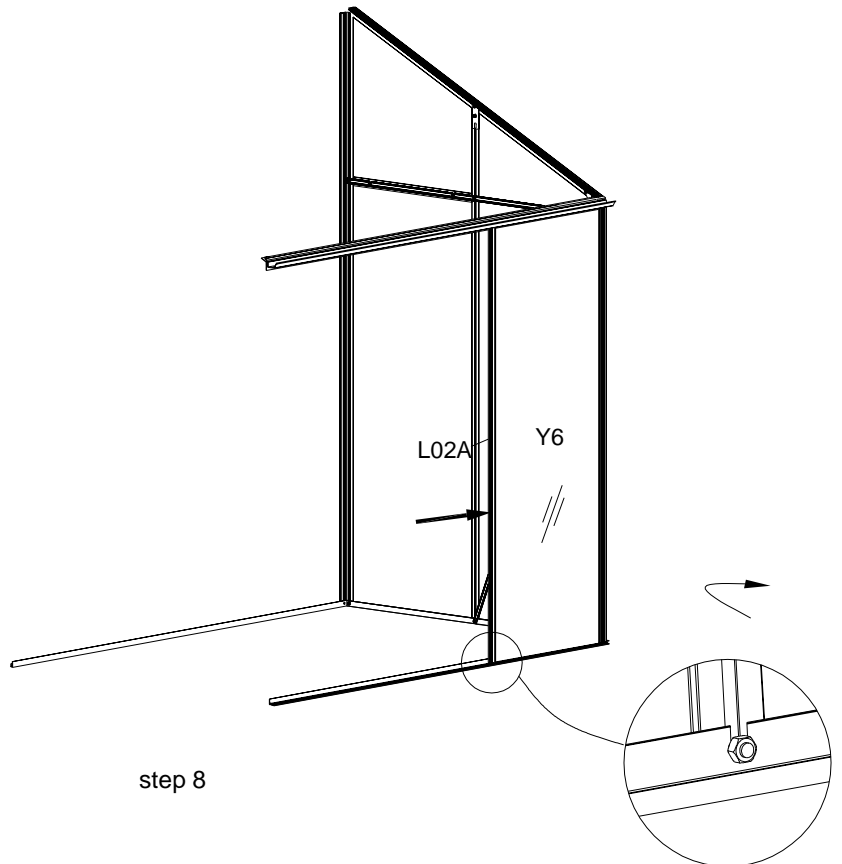
step 5



Step 6

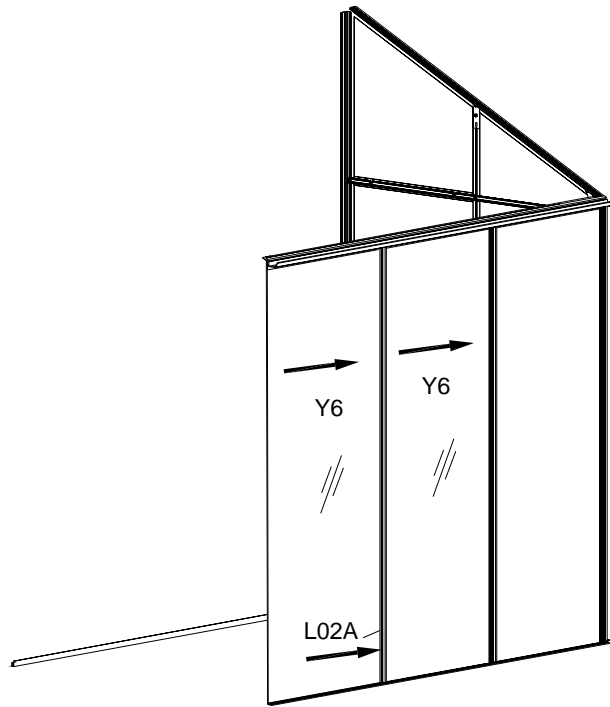


step 7

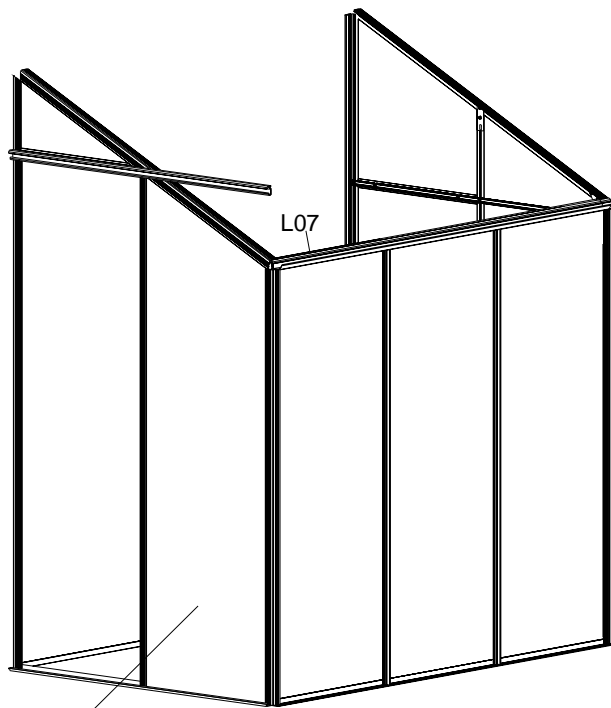


step 8



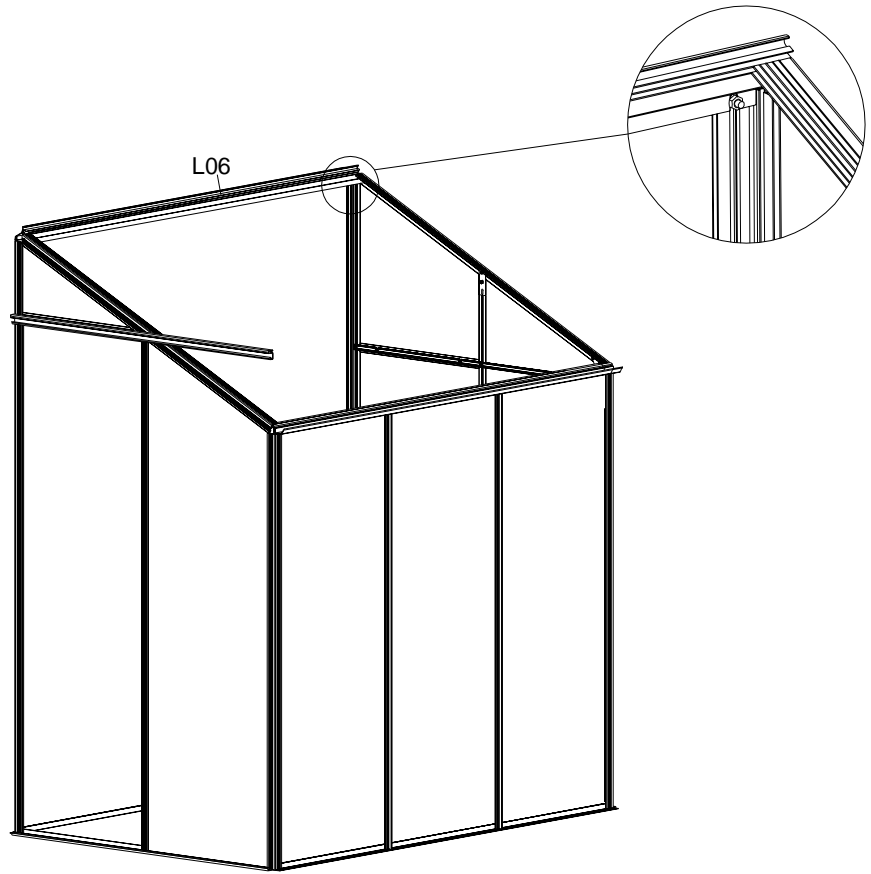


step 9

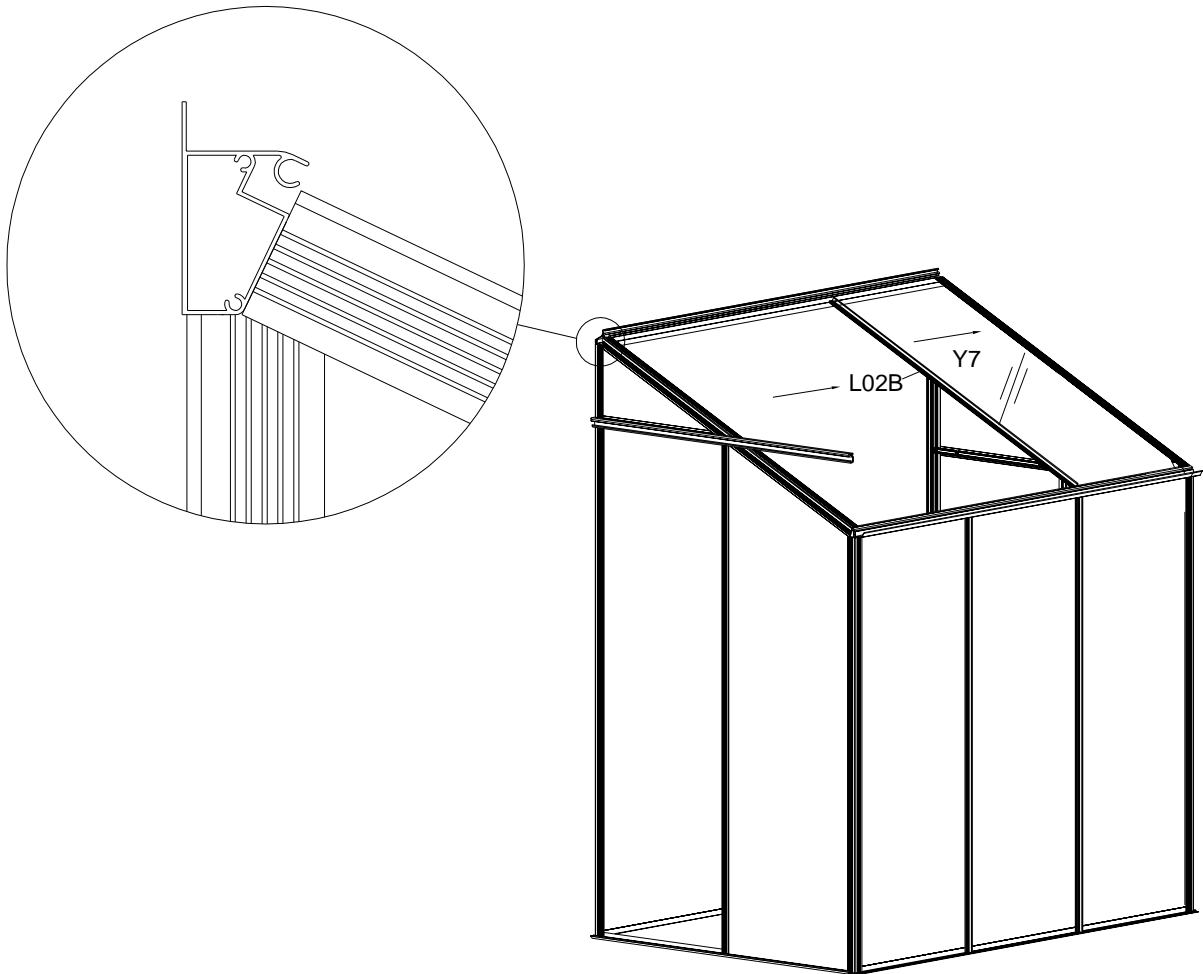


step 10

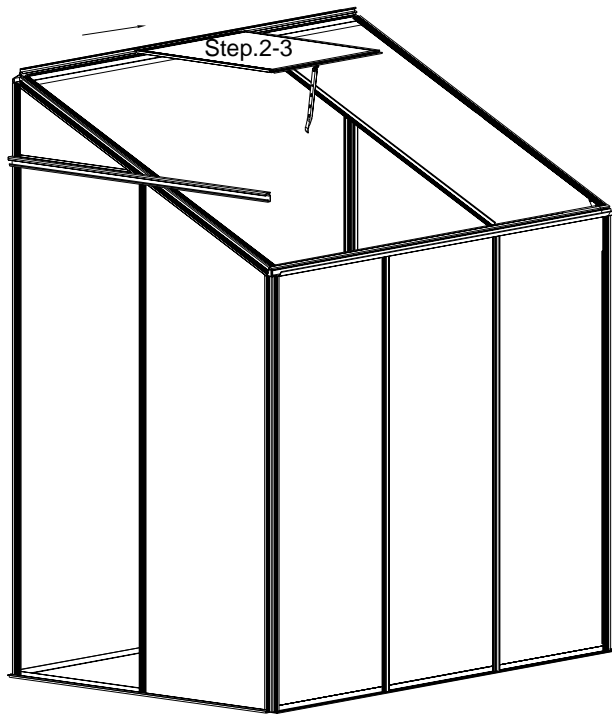
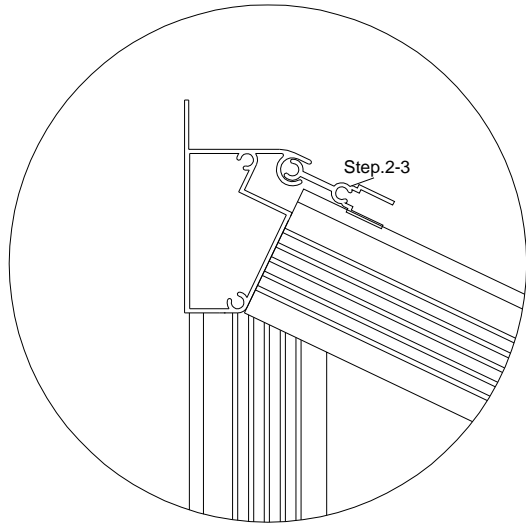
(P8~P11) Assembly



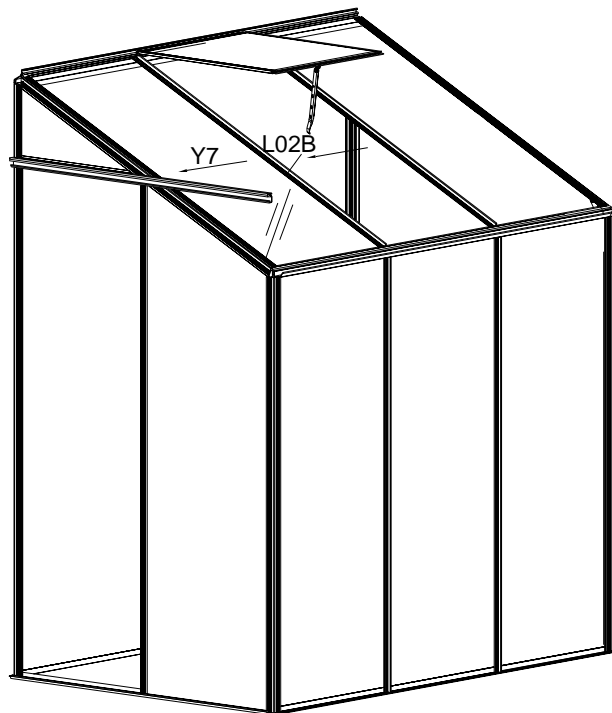
step 11



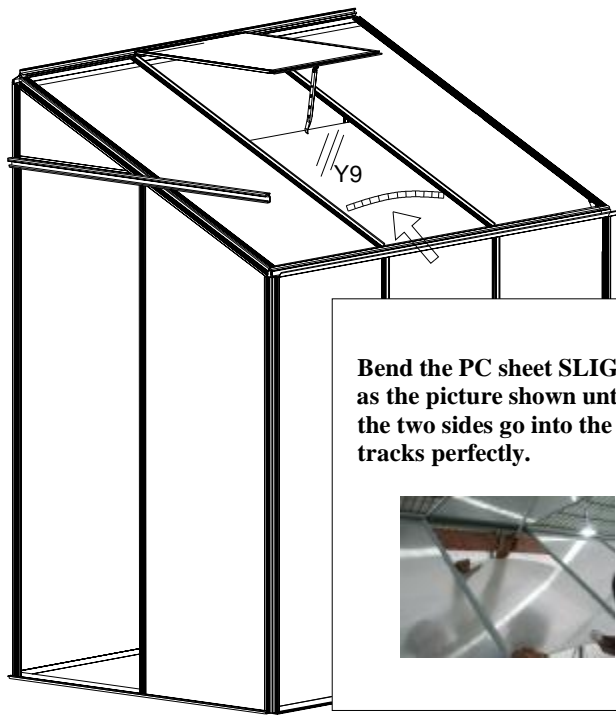
step 12



step 13



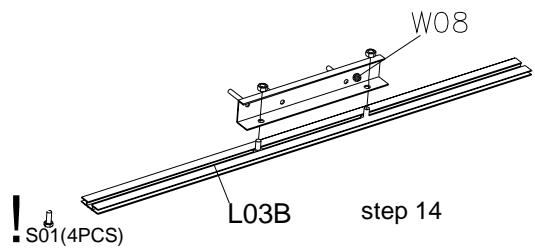
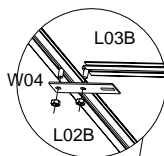
step 14



**Bend the PC sheet SLIGHTLY as the picture shown until the two sides go into the tracks perfectly.**

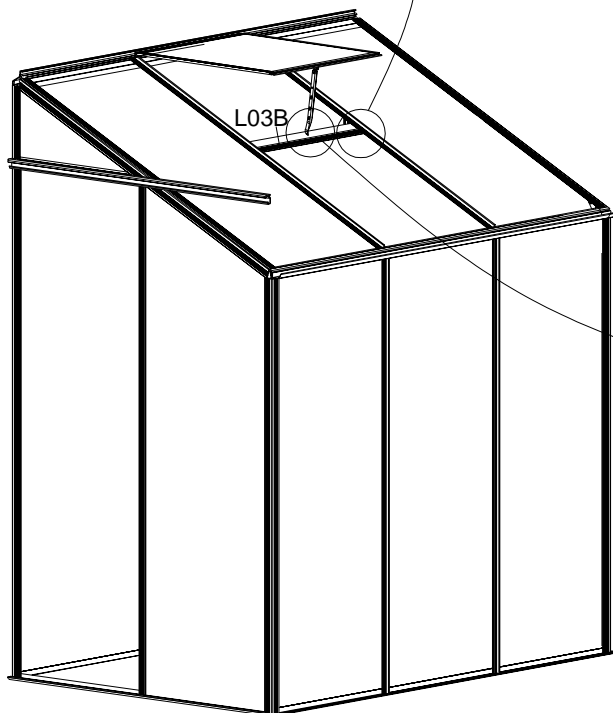


step 15

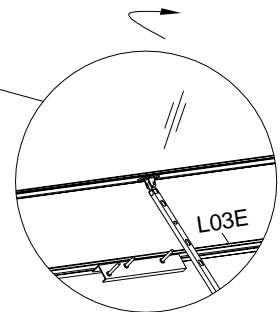


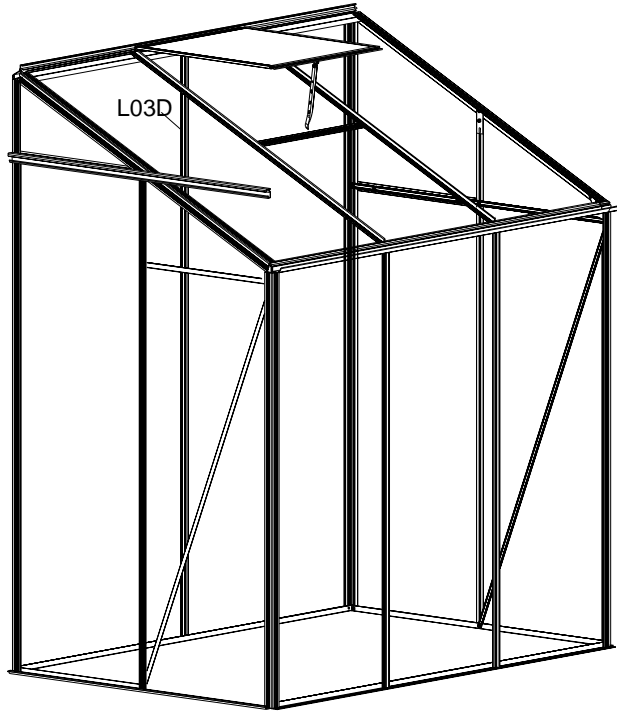
step 14

**Do not forget to put 4pcs S01 into L03B!!**

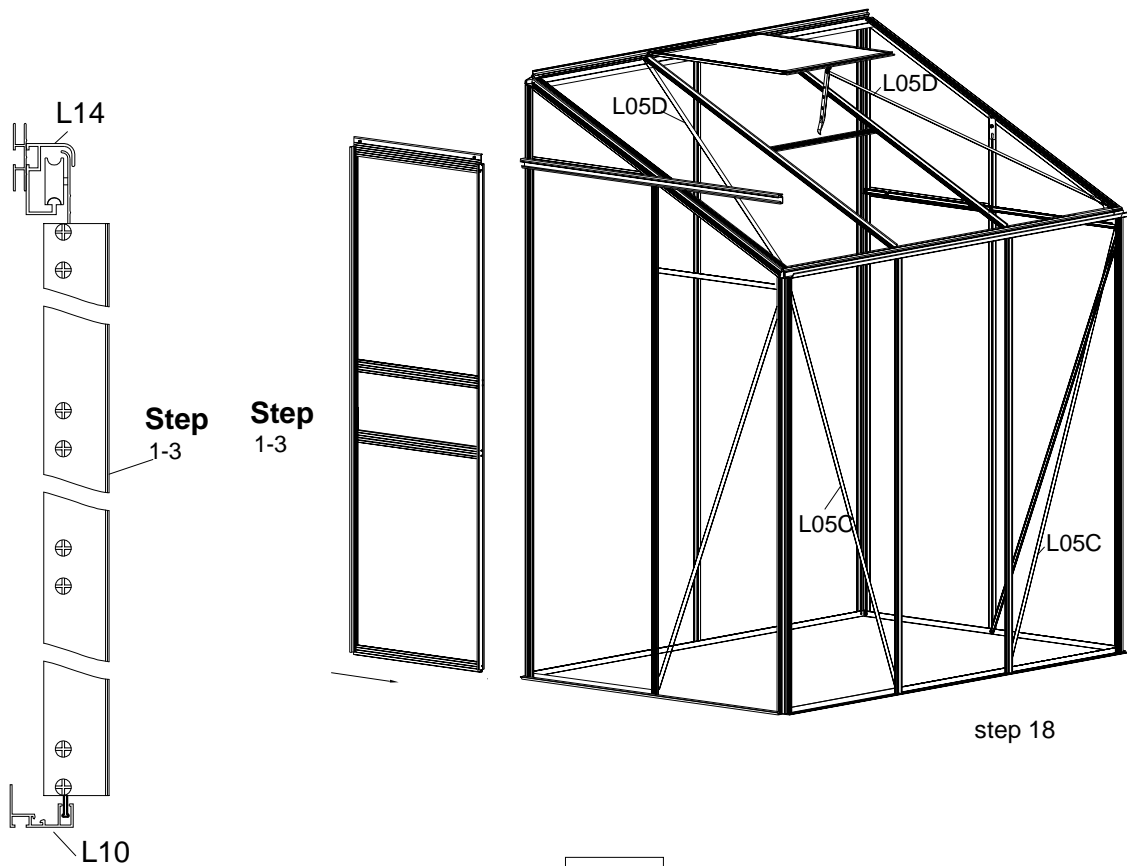


step 16

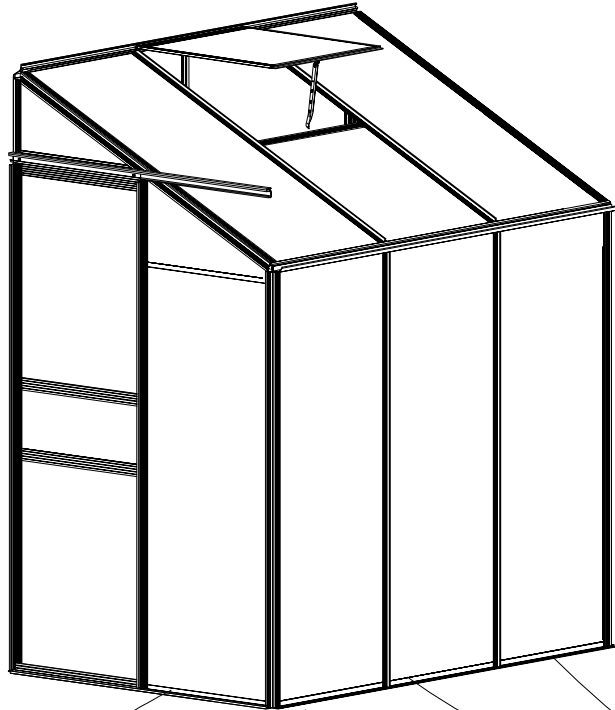




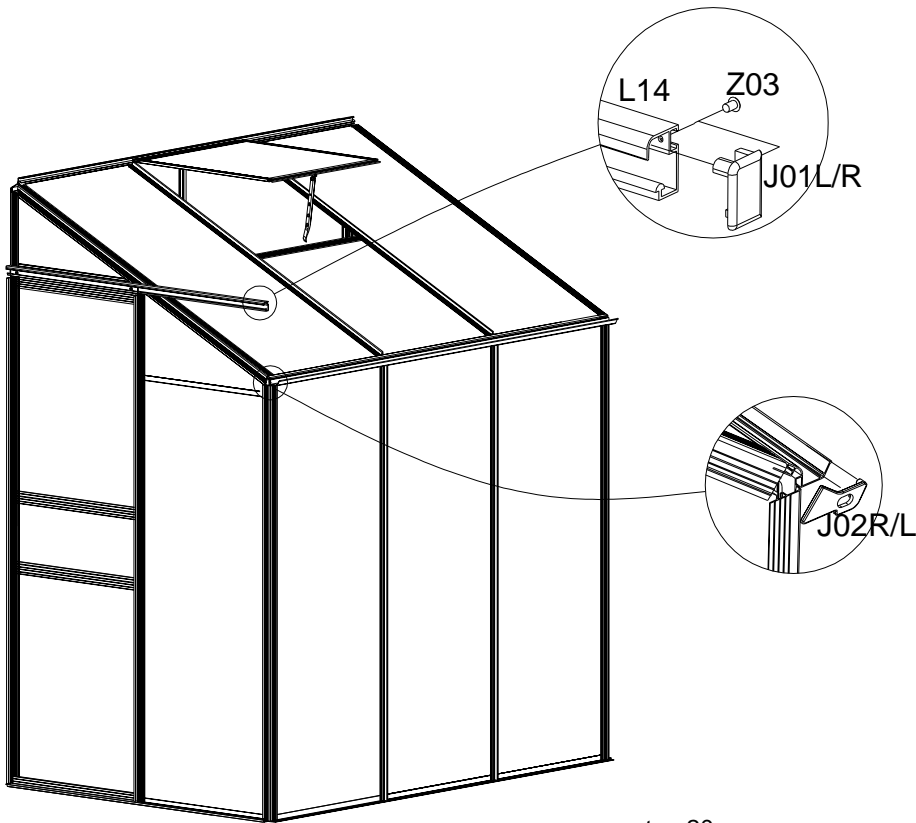
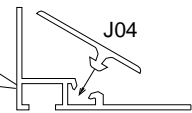
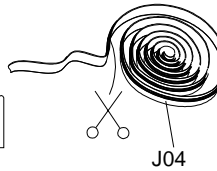
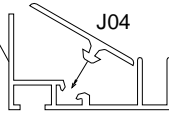
step 17



step 18



step 19



step 20