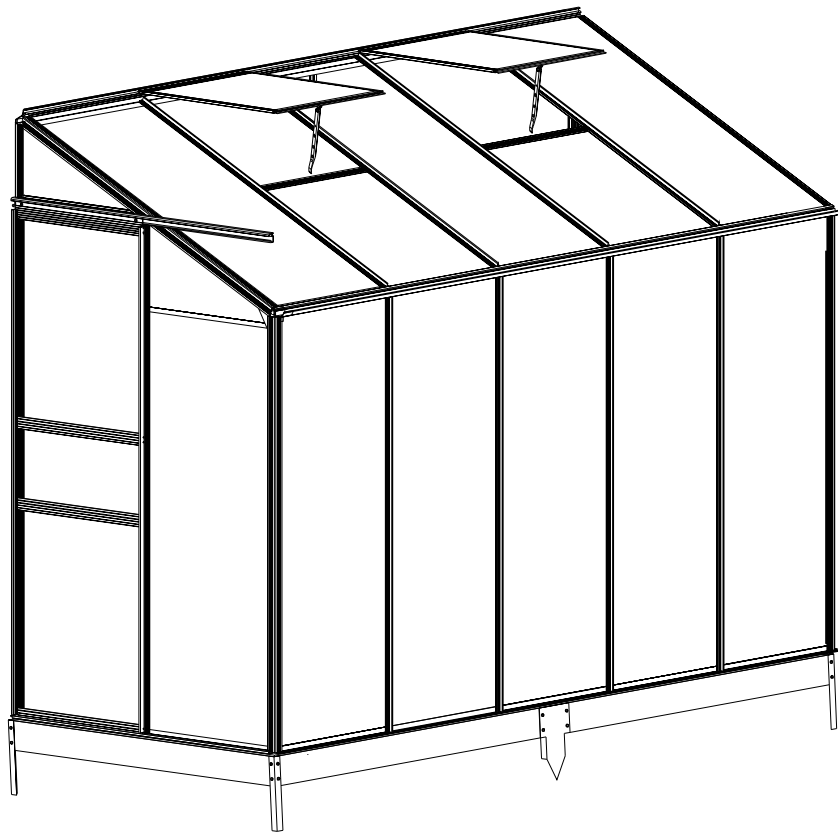



Assembly instruction

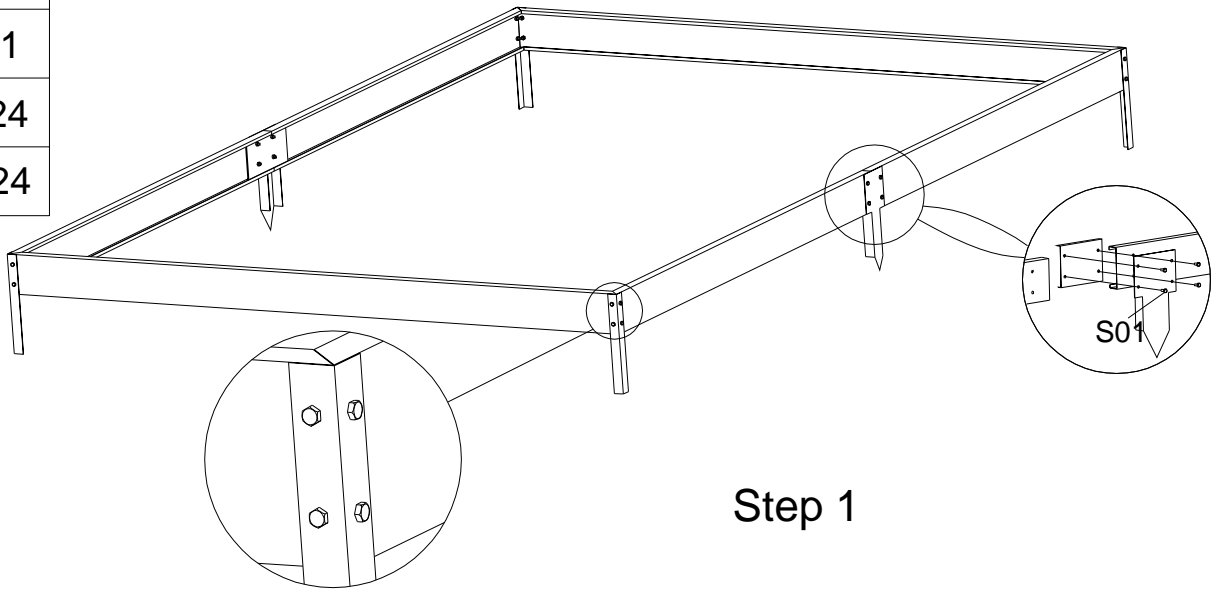


MODEL:GM31045-6

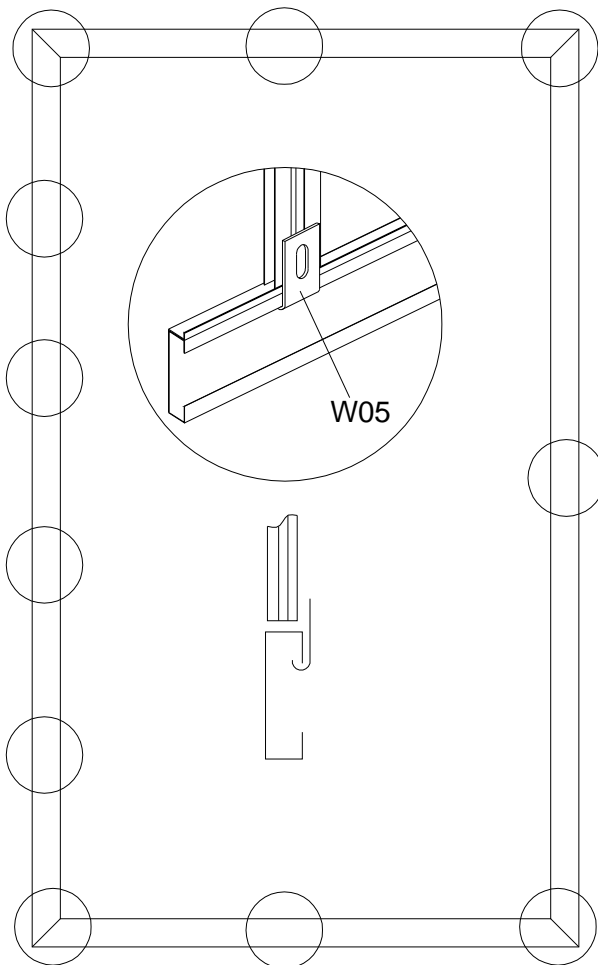
PRODUCT SIZE(LxWxH):320X131X203CM

PLEASE READ CAREFULLY BEFORE ASSEMBLY

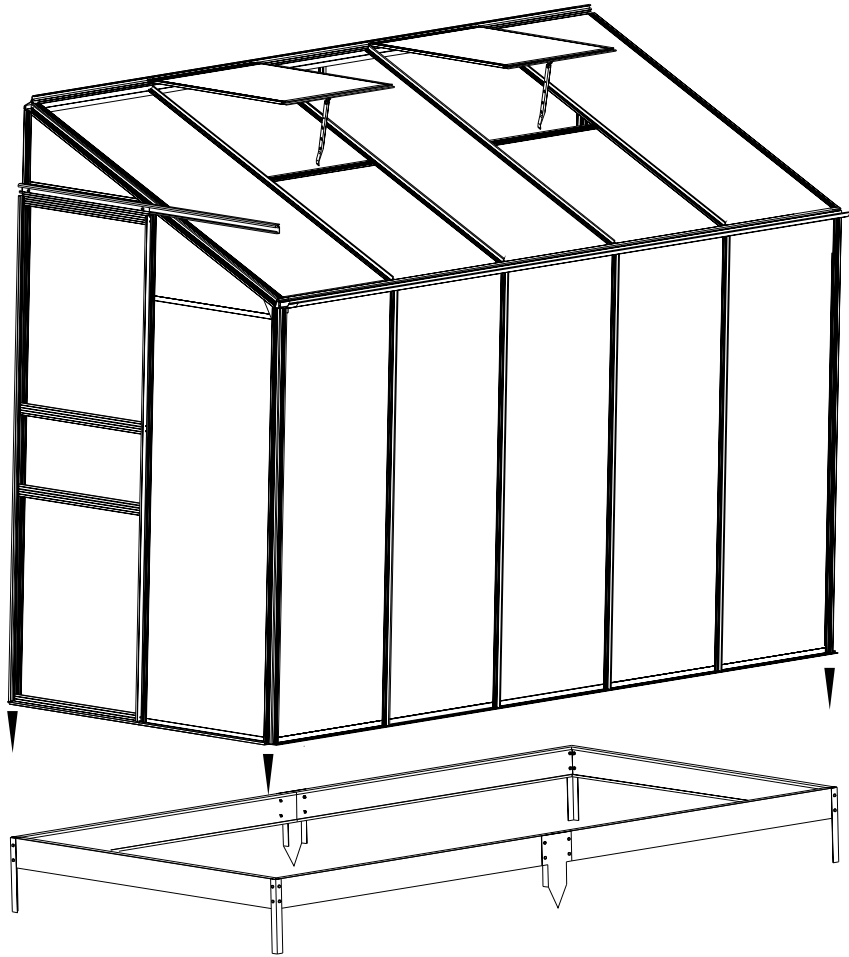
Part	NO.	QTY.
	W05	11
	S01	24
	M01	24



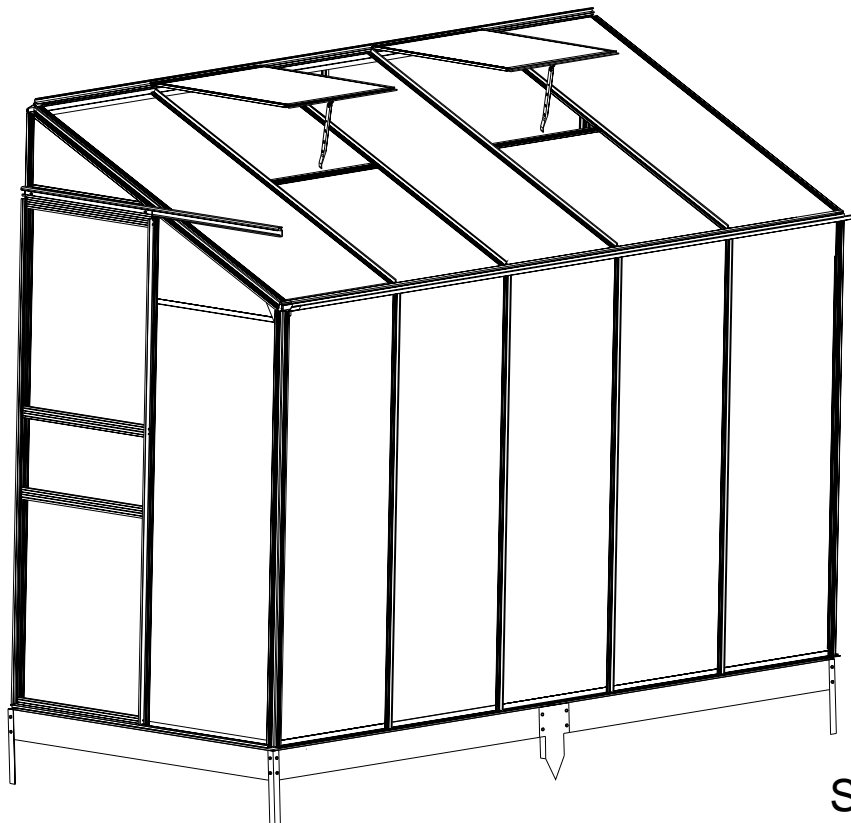
When fixing the greenhouse with the base, please loosen the screws of the greenhouse and then fix the W05 with it. There are no extra screws for the base.



Step 2



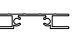
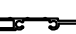


Step 3

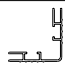
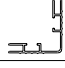
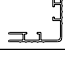




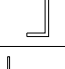




Step 4

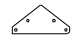
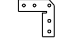

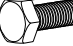








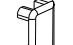
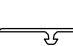
(P2) Assembly

Part	NO.	QTY.
	L18A	2
	L15	1
	L16B	2
	L17	1

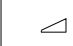
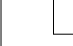

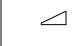
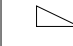
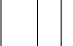





(P8~P11) Assembly

PART	NO.	Qty.
	L01D	1
	L01E	1
	L01F	1
	L03A	1
	L03B	1
	L04A	1
	L05A	1
	L05B	1
	L10	1
	L14	1


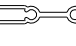
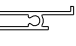
PARTS

PART	NO.	Qty.
	W02	2
	W03	1
	W04	6
	S01	64
	M6X12	
	M01	66
	M6	
	S02	2
	M6X16	
	Z03	6
	Ø4X10	
	Z02	8
	Ø4X14D	
	Z01	16
	Ø4X25	
	W06	2
	W08	2
	J02R/L	1/1
	J03R/L	1/1
	J04	1

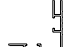

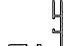

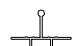



Polycarbonate

PART	NO.	Qty.
	Y1	1
	Y2	3
	Y3	1
	Y4	1
	Y5	1
	Y6	5
	Y7	3
	Y9	2
	Y10	2
	Y11	2
	Y12	1


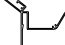




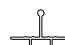
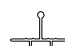
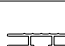

(P3) Assembly

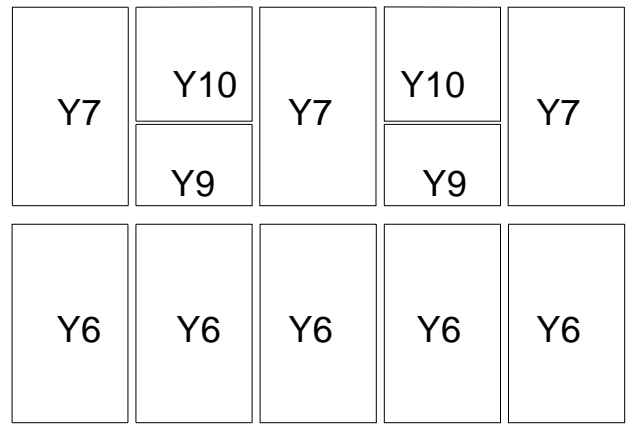
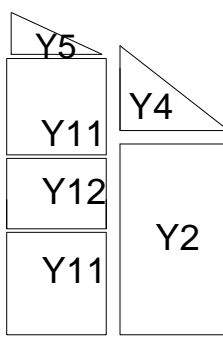
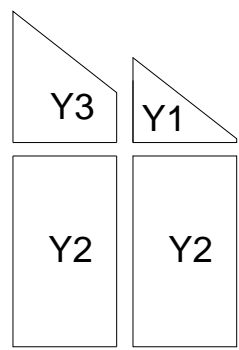
PART	NO.	Qty.
	L19	4
	L20	2
	L21	2



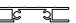

(P4~P7) Assembly

PART	NO.	Qty.
	L01A	1
	L01B	1
	L01C	1
	L03B	2
	L02C	1
	L05E	1
	L05A	1
	L08A	1

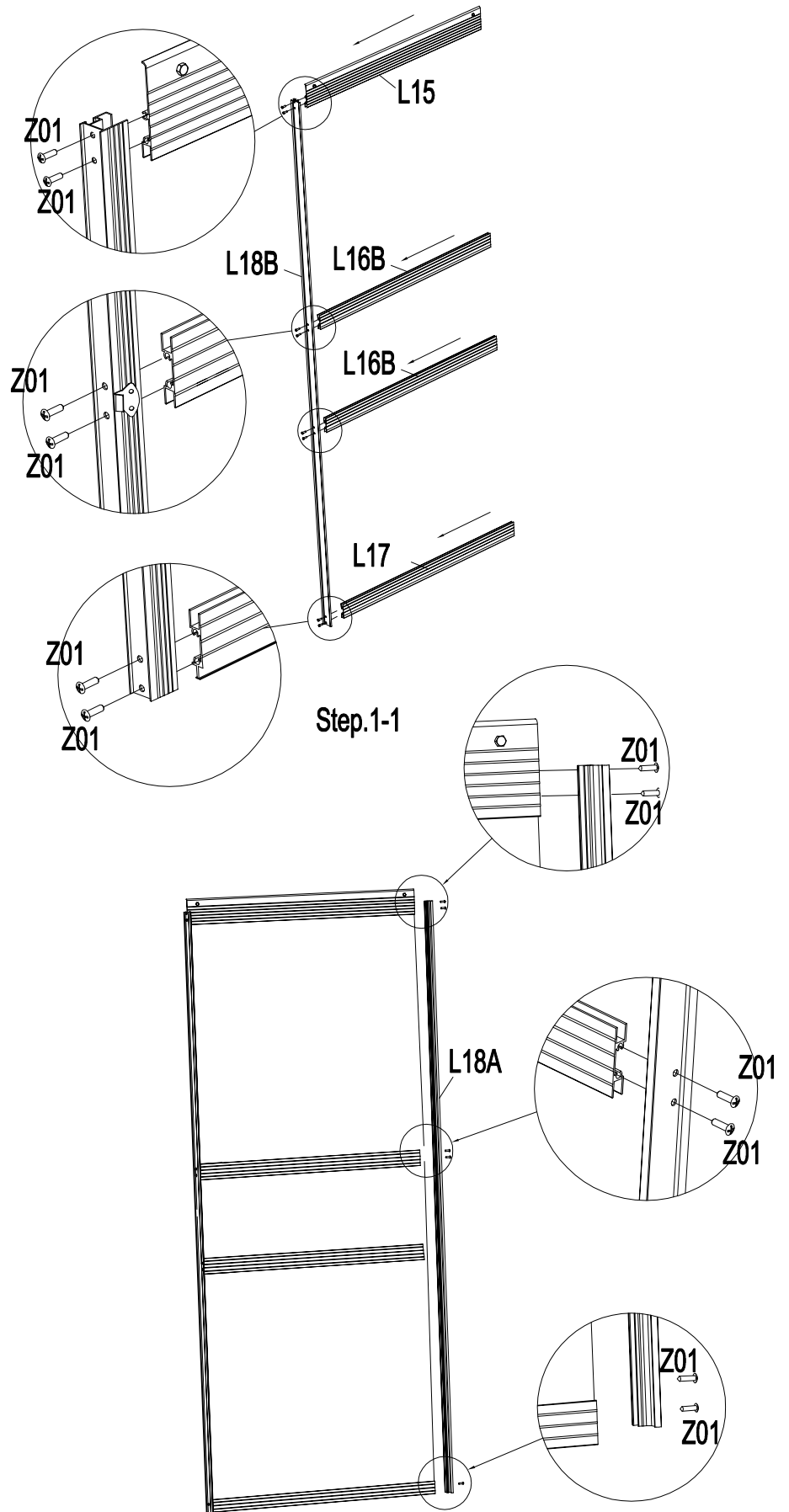
(P12~P19) Assembly

PART	NO.	Qty.
	L08B	1
	L07	1
	L06	1
	L09	1
	L05C	2
	L05D	2
	L02A	4
	L02B	4
	L03D	1
	L03B	2



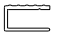
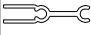
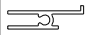
Part	NO.	QTY.
	L18A	2
	L15	1
	L16B	2
	L17	1

P2 Door1 Frame Assembly

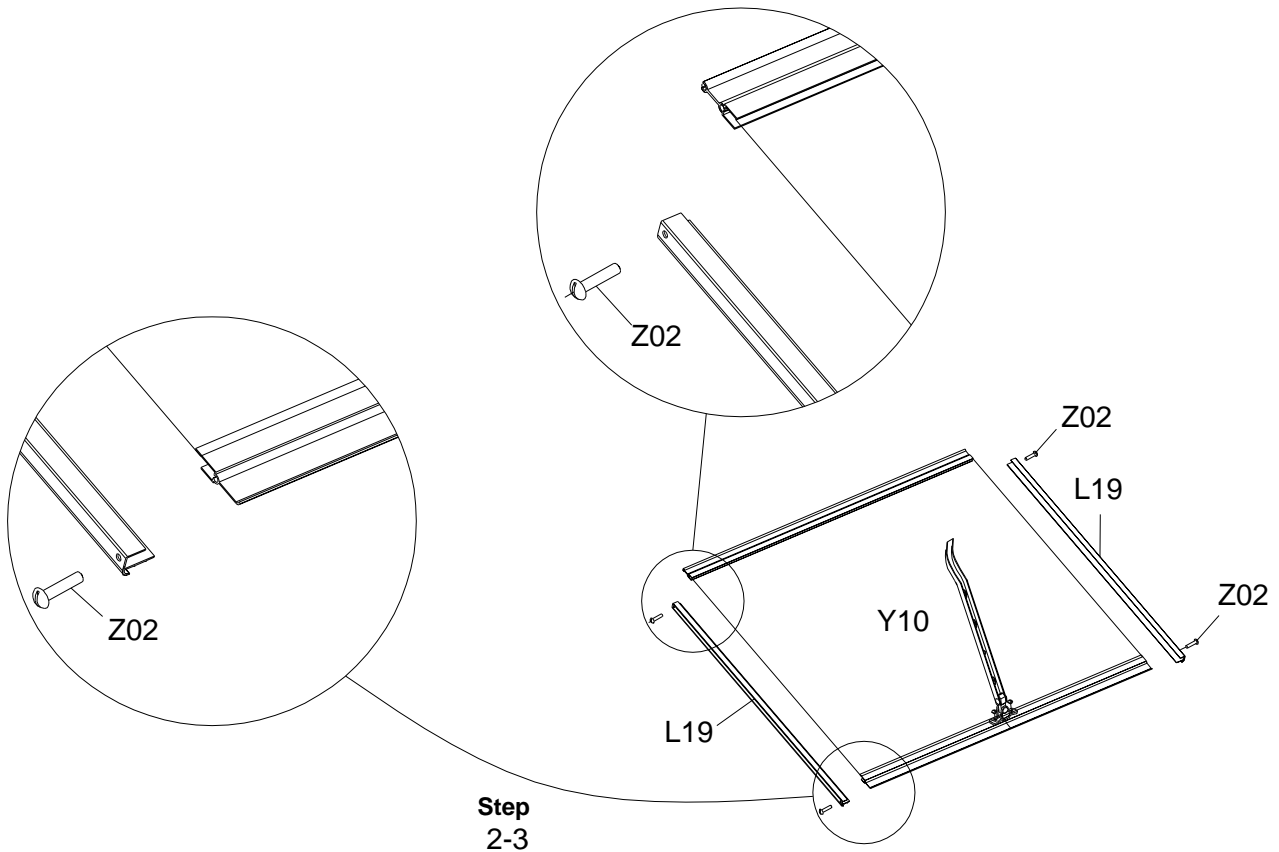
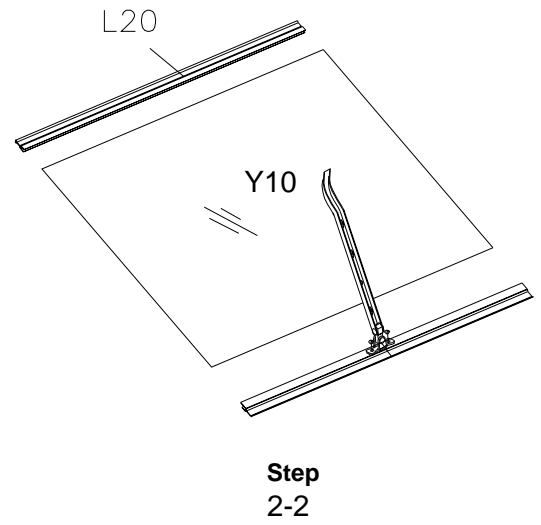
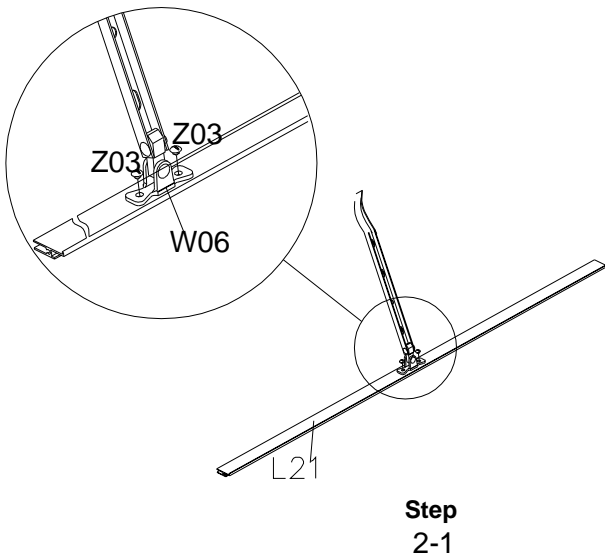
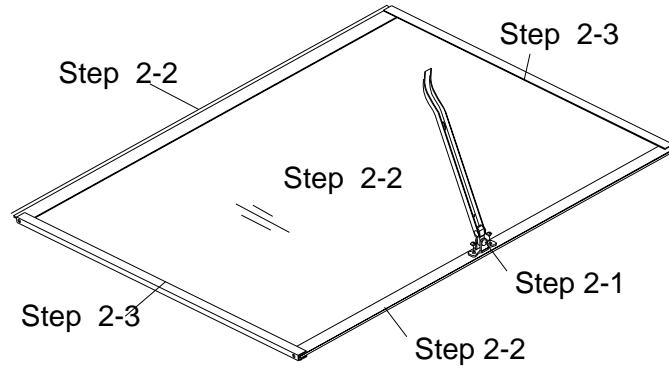



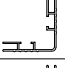
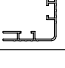





Step.1-2

Step.1-3

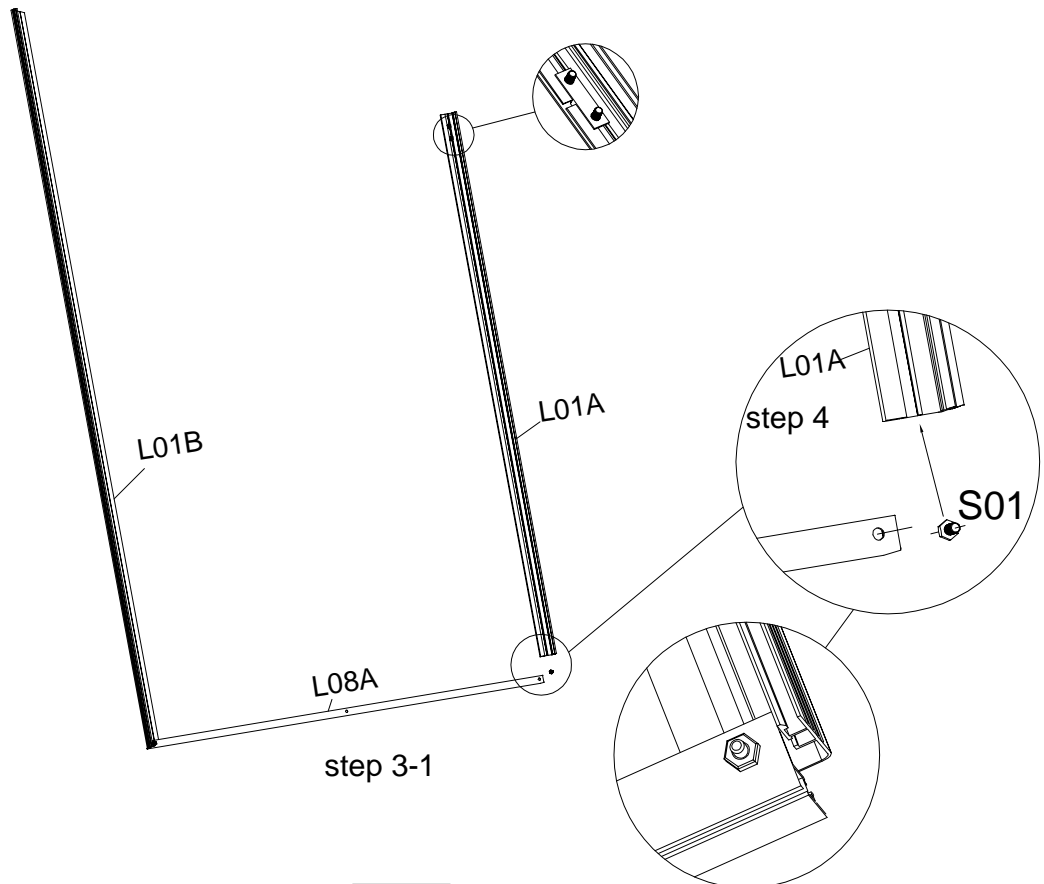
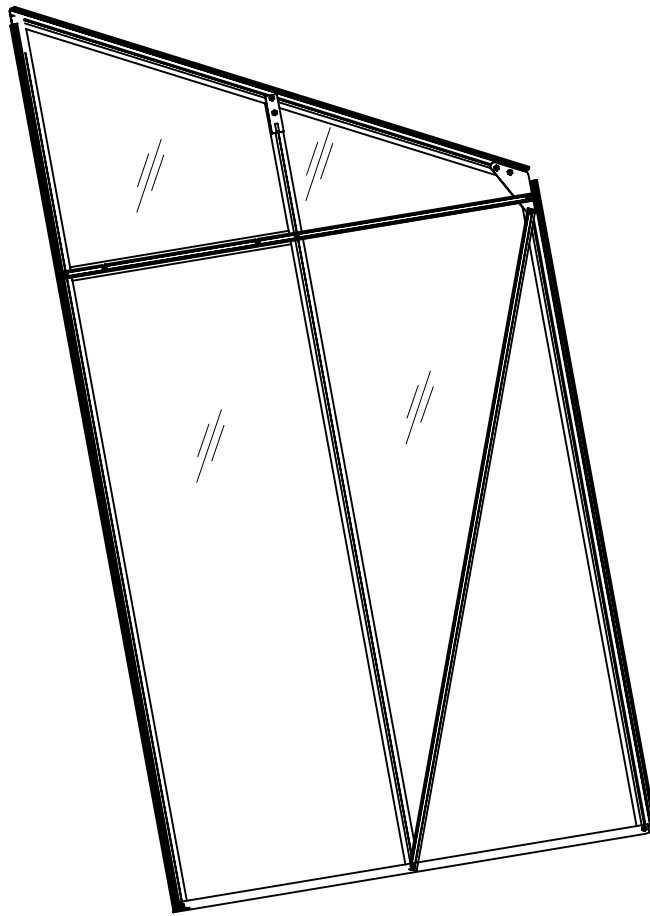
PART	NO.	Qty.
	L19	4
	L20	2
	L21	2

P3 Window Frame Assembly

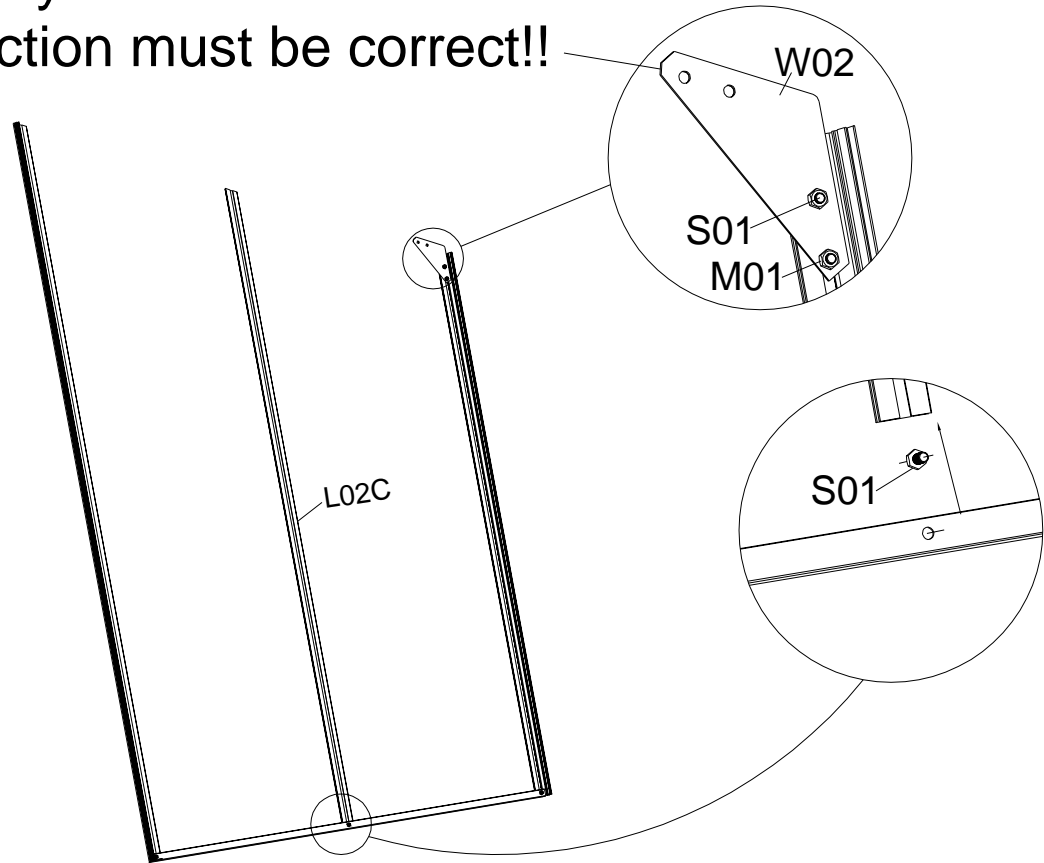


PART	NO.	Qty.
	L01A	1
	L01B	1
	L01C	1
	L03B	2
	L02C	1
	L05E	1
	L05A	1
	L08A	1

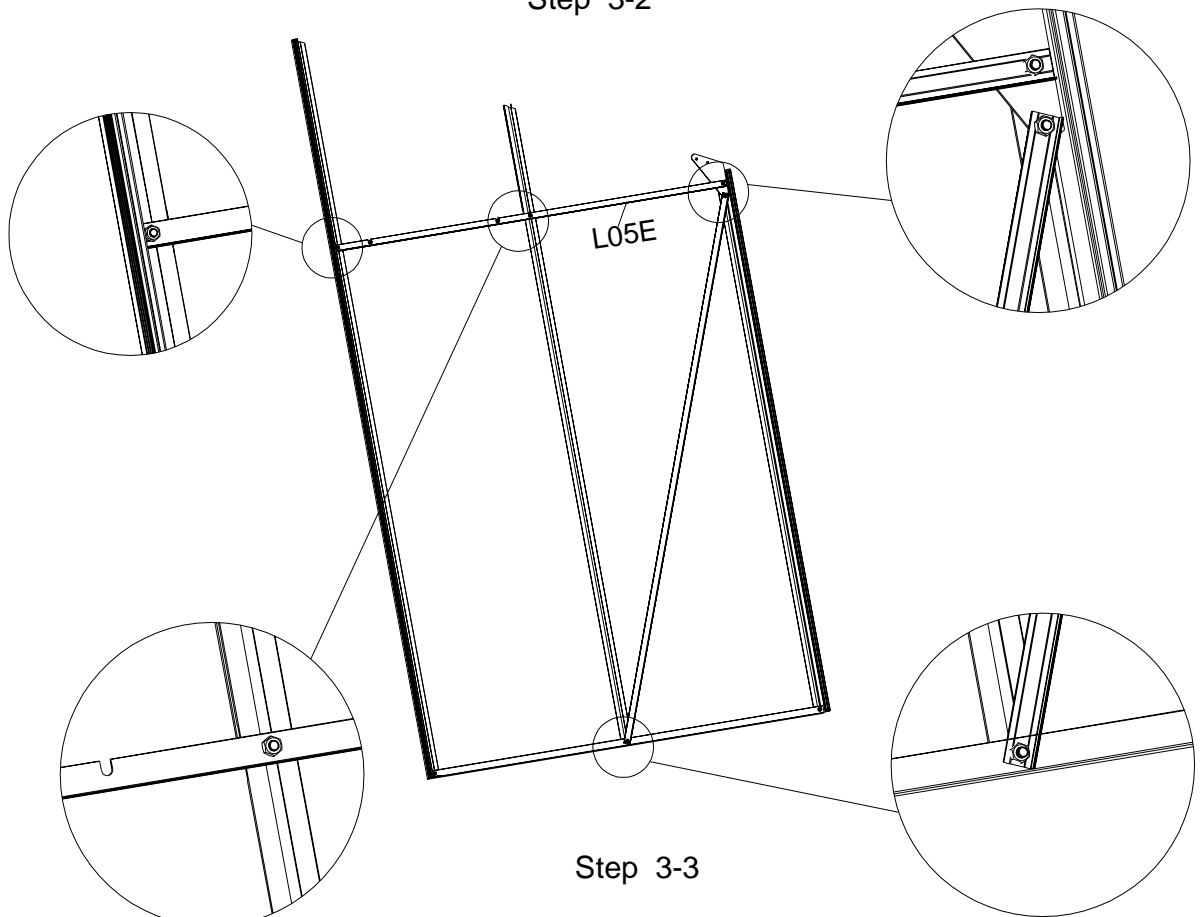
(P4~P7) Rear Frame Assembly

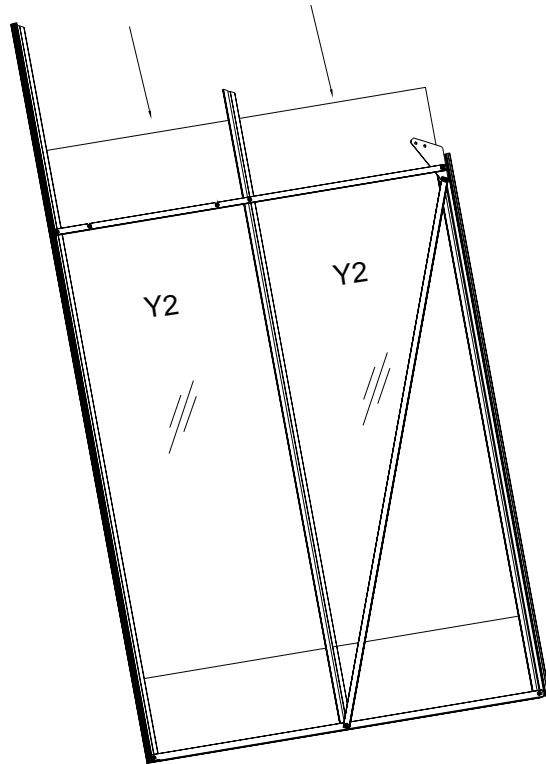


Please pay attention to the cut corner.
The direction must be correct!!

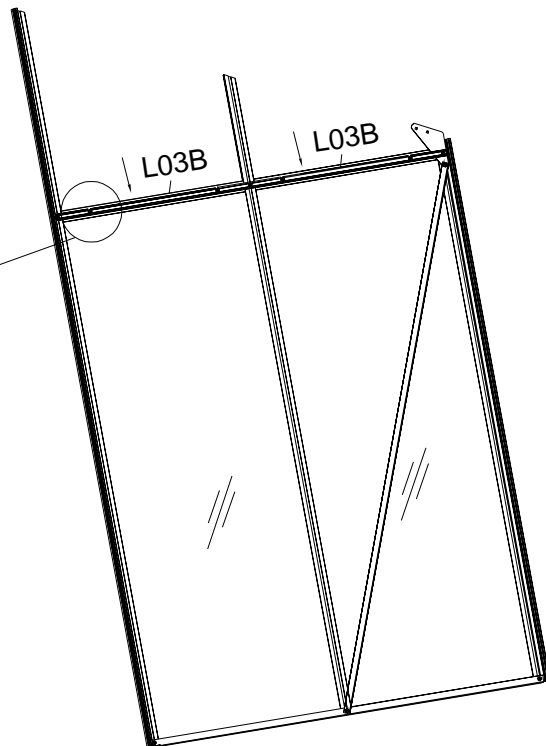
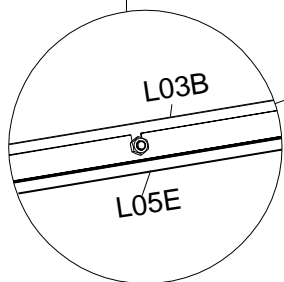
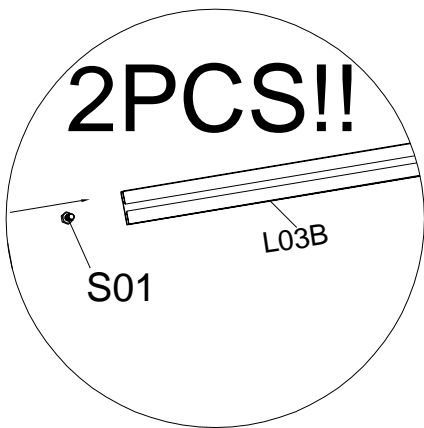


Step 3-2

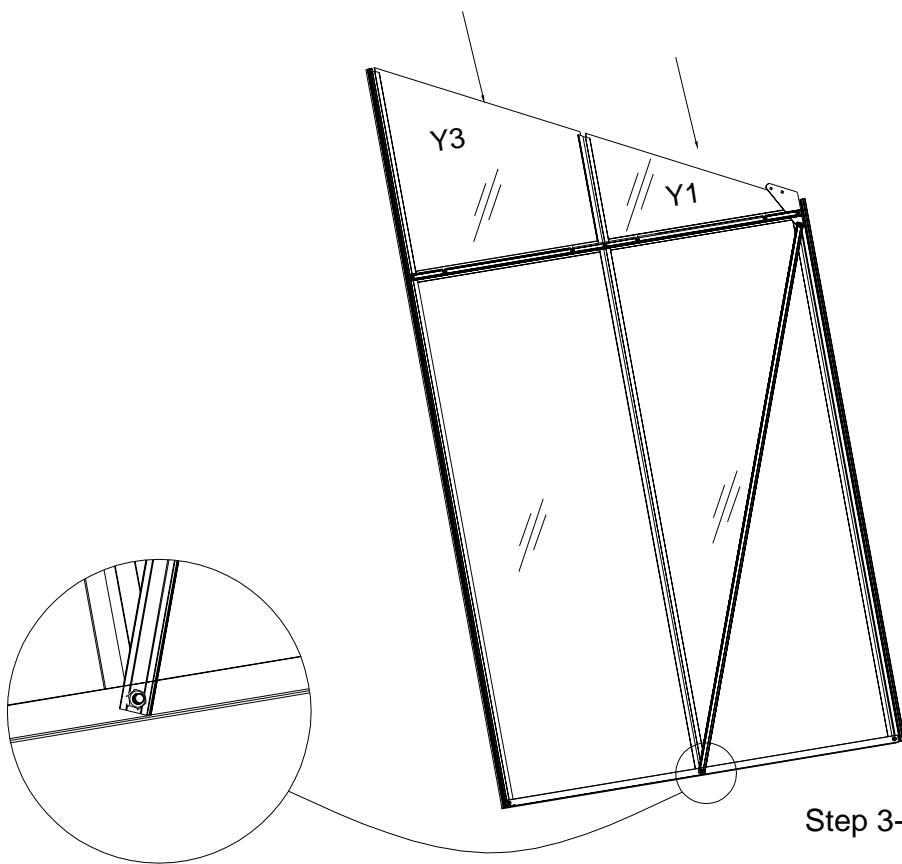




Step 3-4

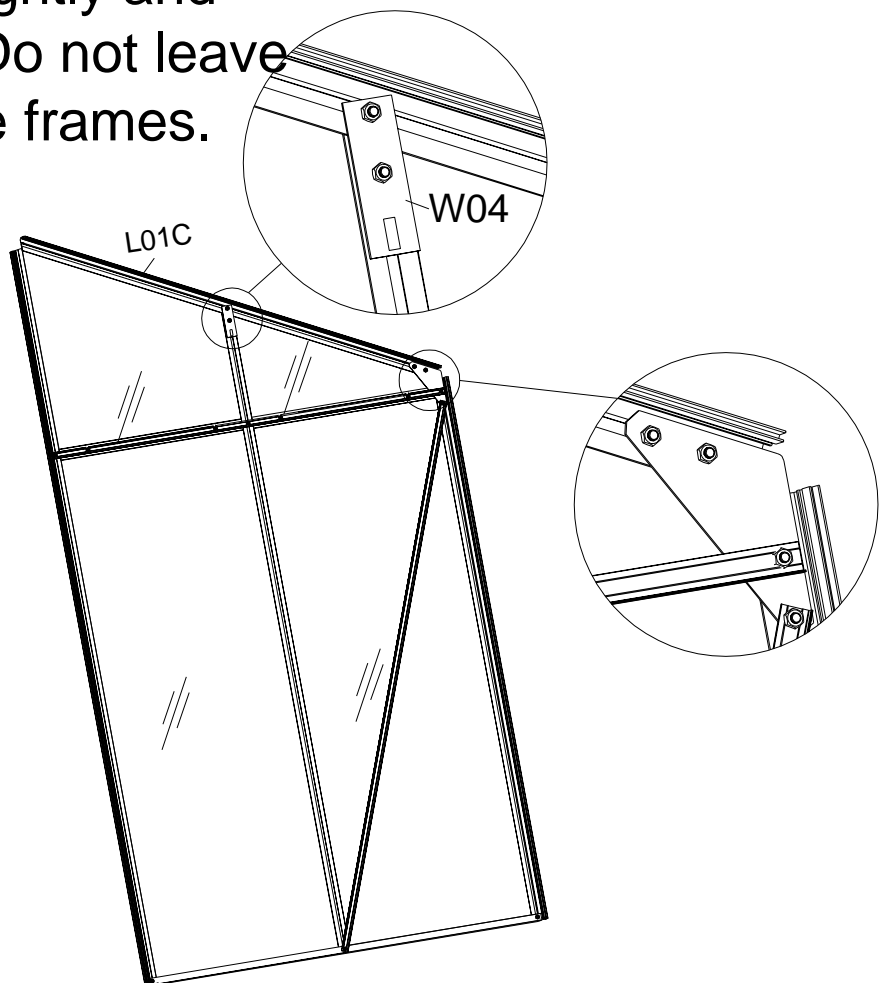


Step 3-5



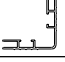
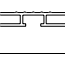

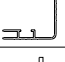






Step 3-6

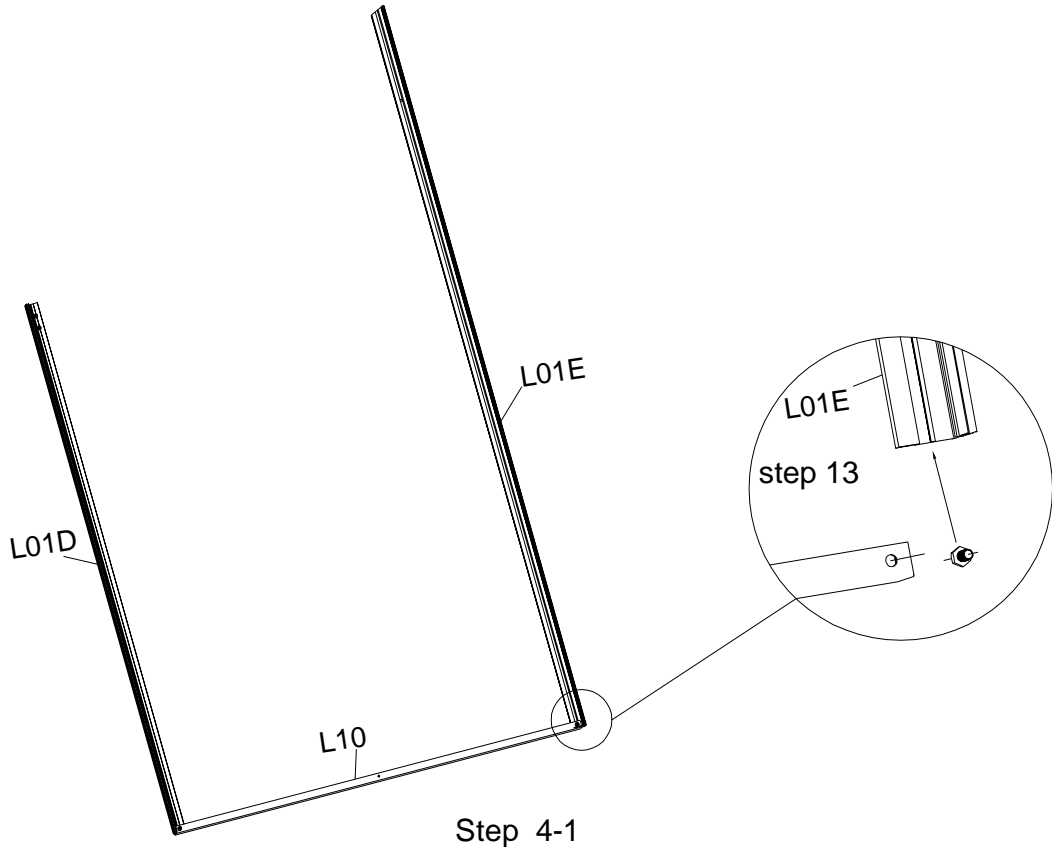
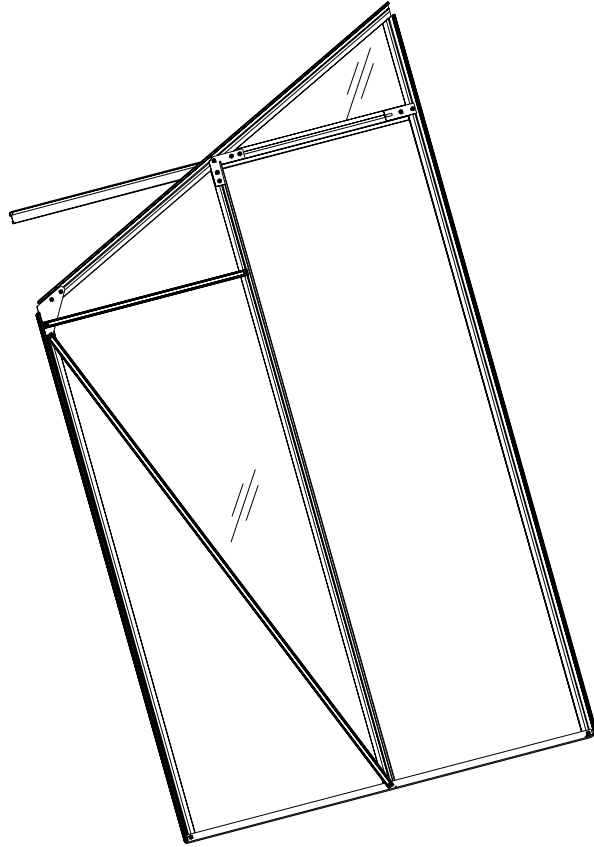
Frames must be put tightly and correctly using W04. Do not leave big space between the frames.



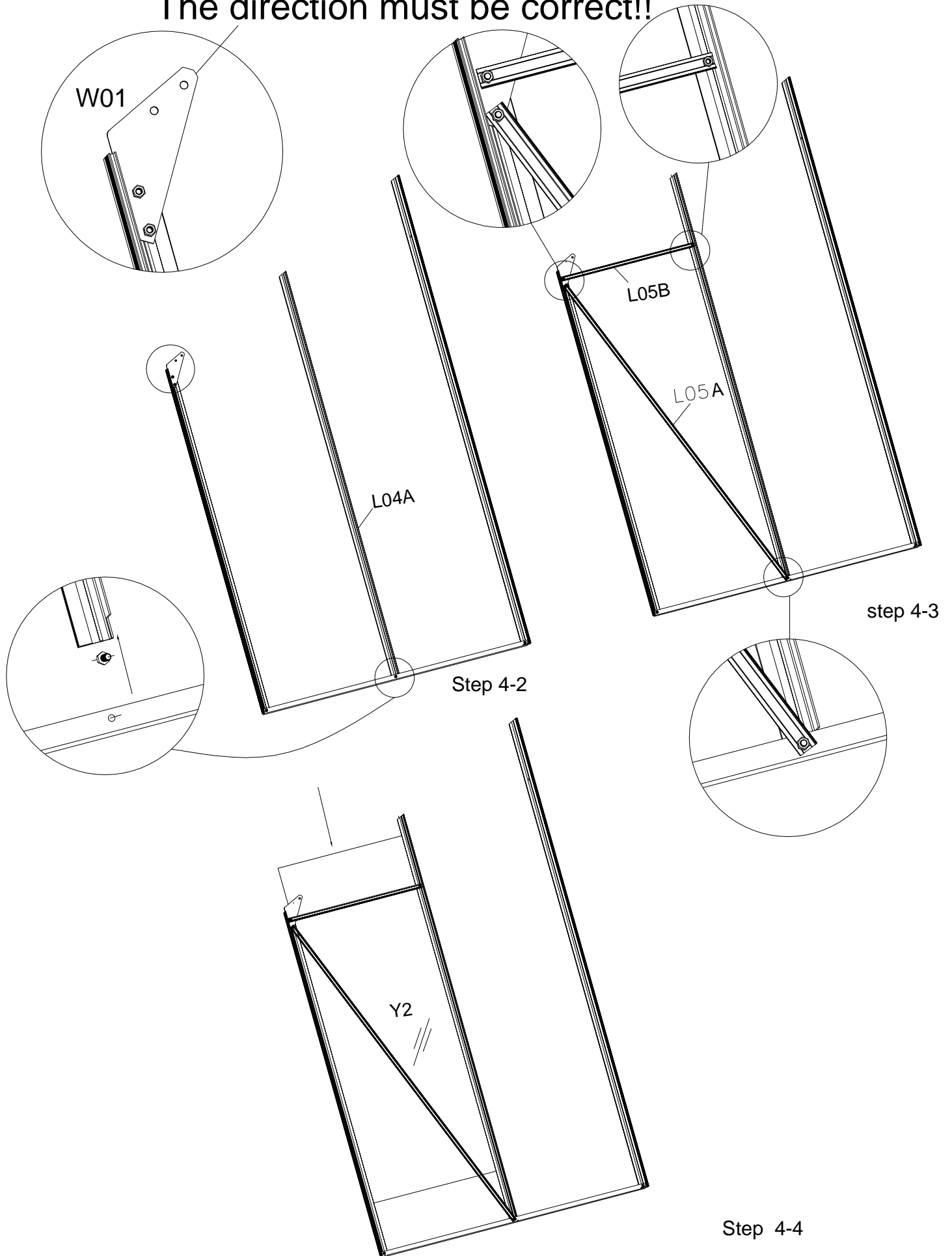
Step 3-7

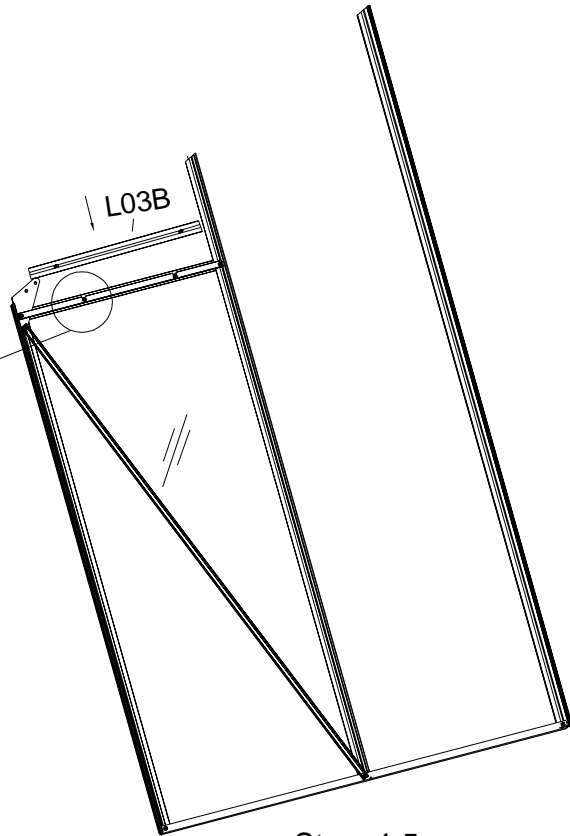
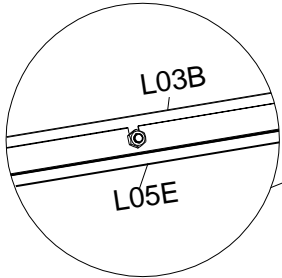
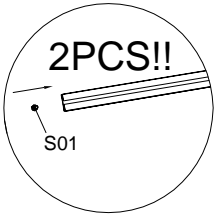
PART NO.	Qty.
 L01D	1
 L01E	1
 L01F	1
 L03A	1
 L03B	1
 L04A	1
 L05A	1
 L05B	1
 L10	1
 L14	1

(P8~P11) Assembly

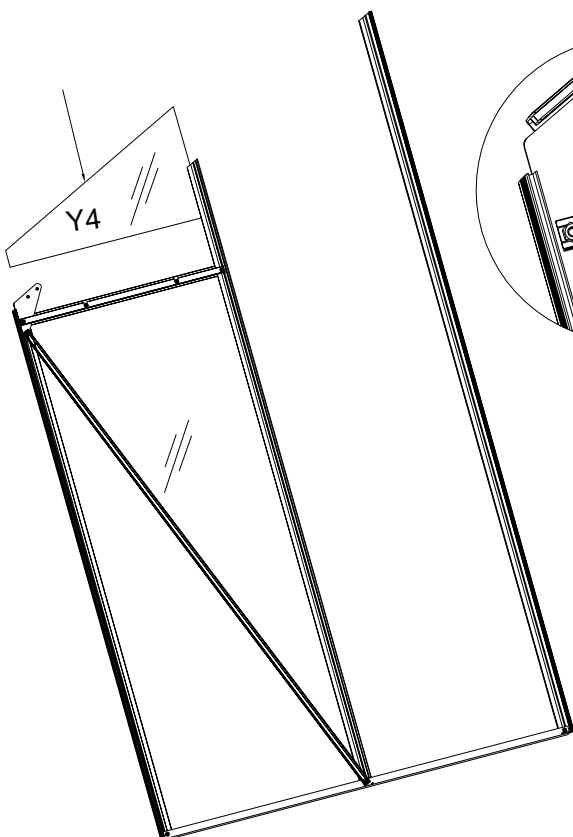
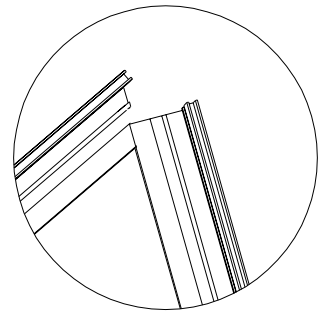


Please pay attention to the cut corner.
The direction must be correct!!

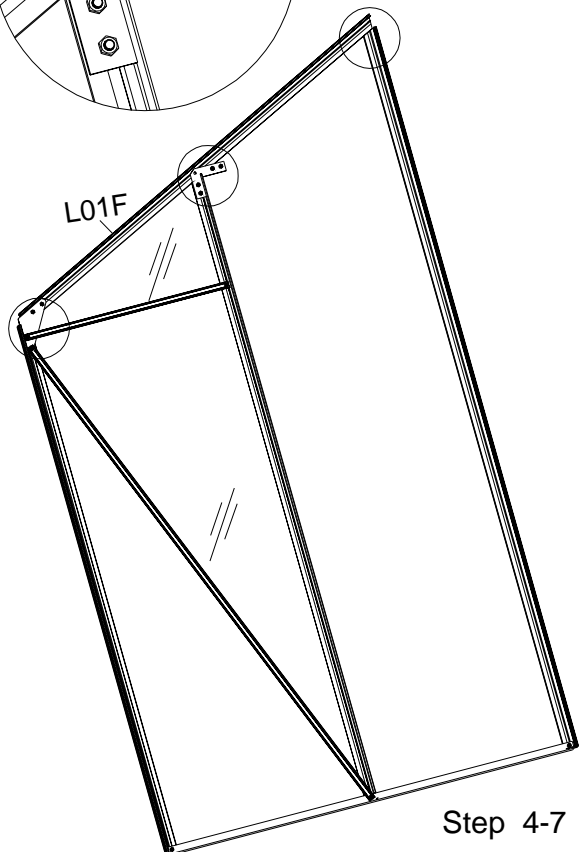
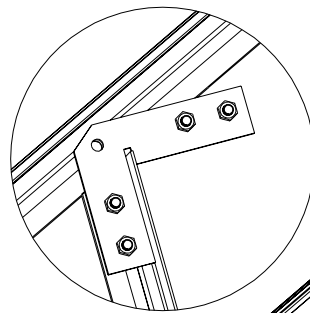
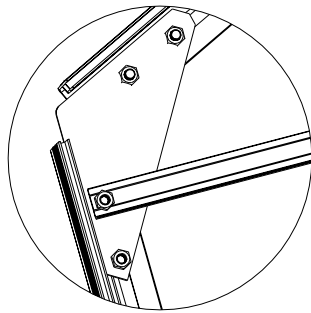




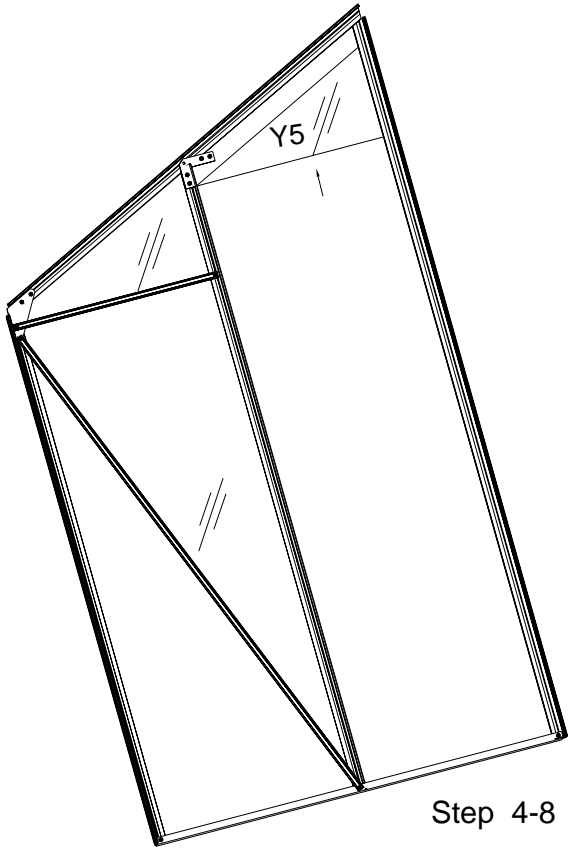
Step 4-5



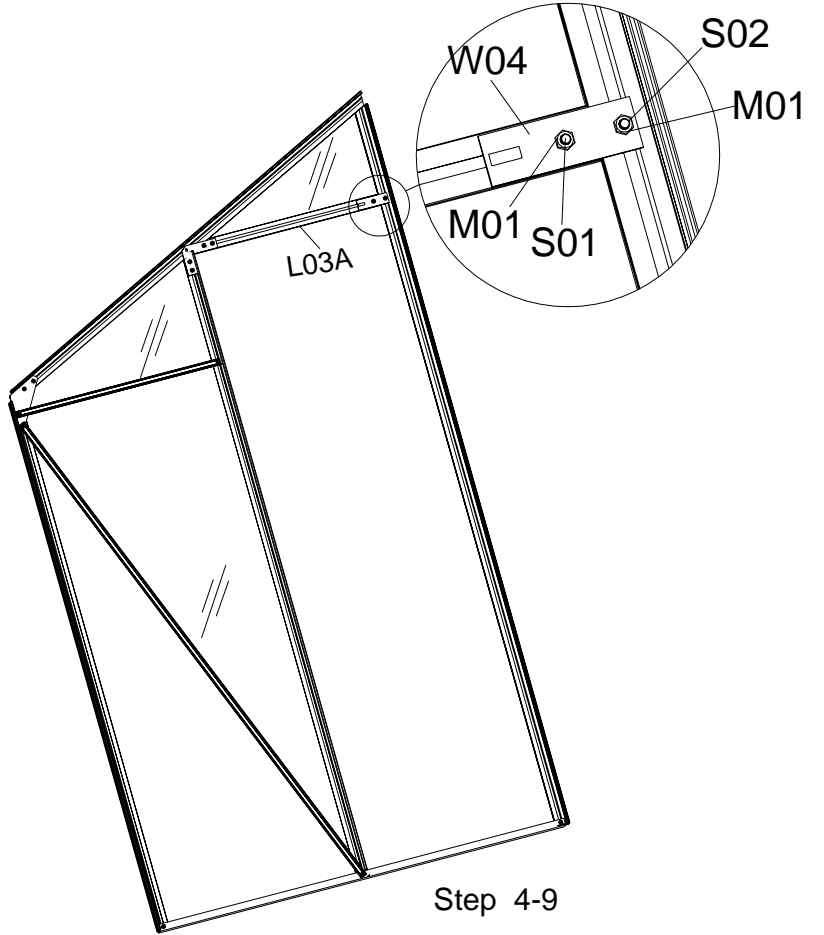
Step 4-6



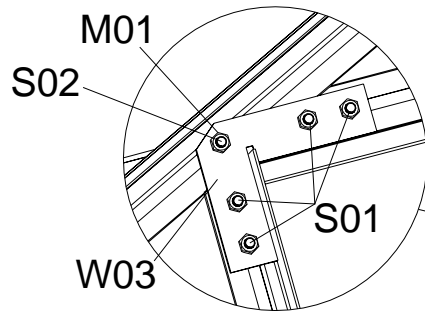
Step 4-7



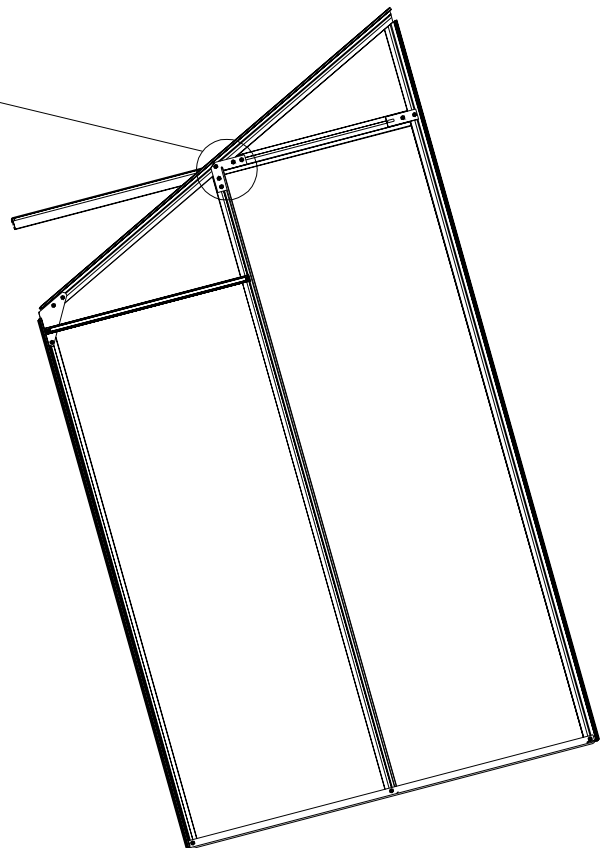
Step 4-8



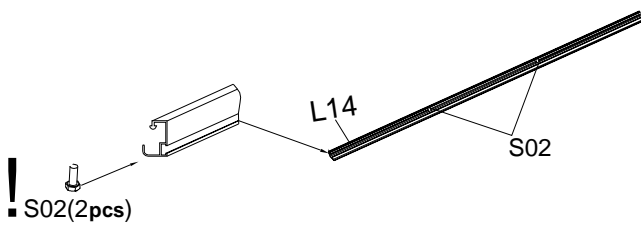
Step 4-9









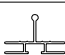
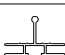
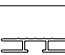
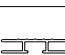
Use S02 and M01 to fix the W03's position correctly.



Step 4-11

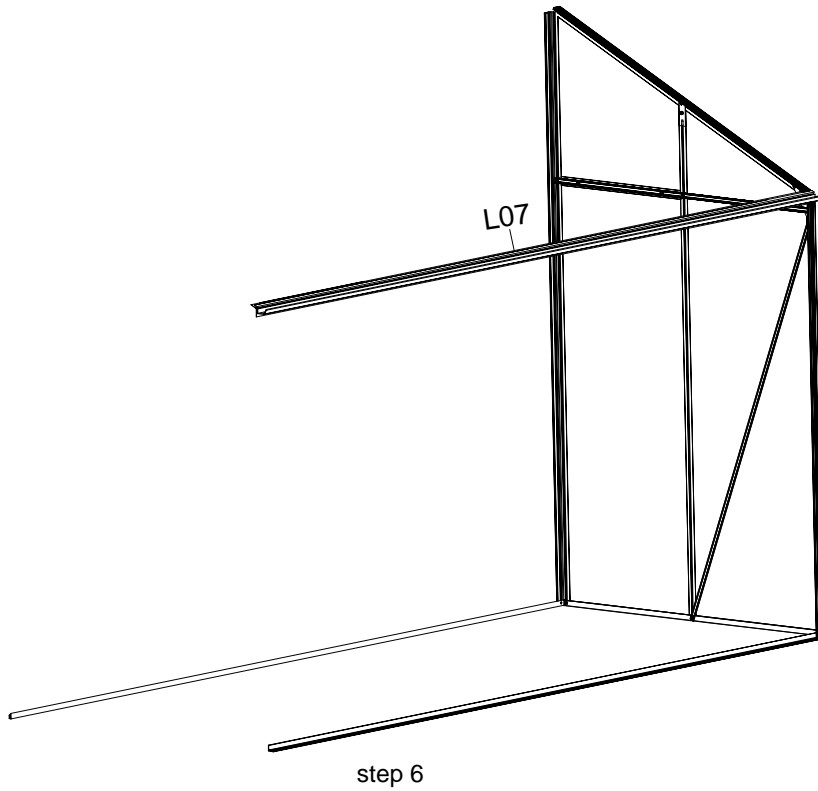
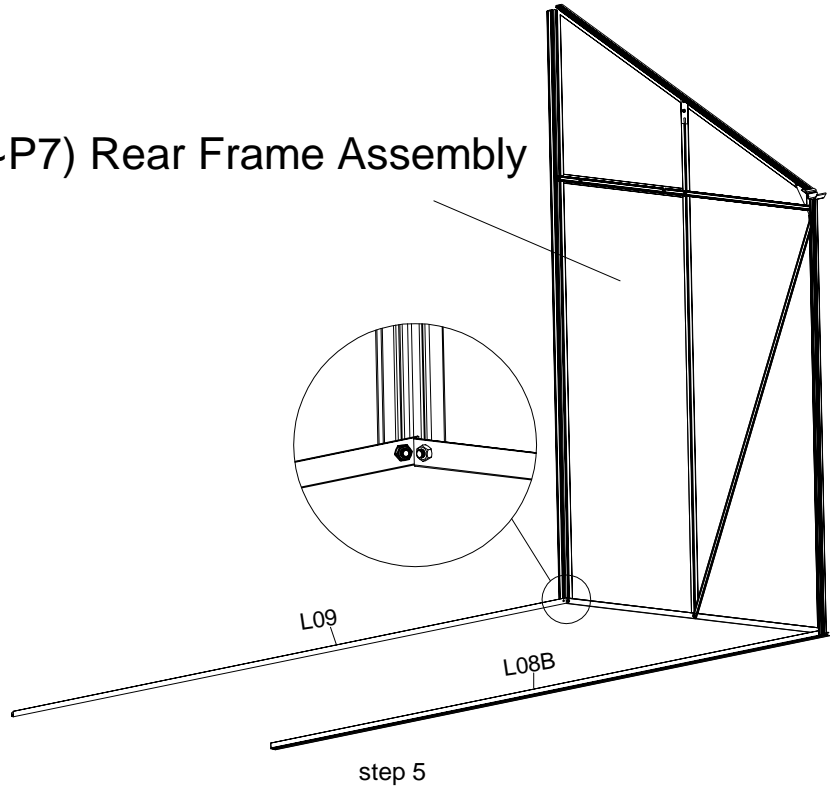


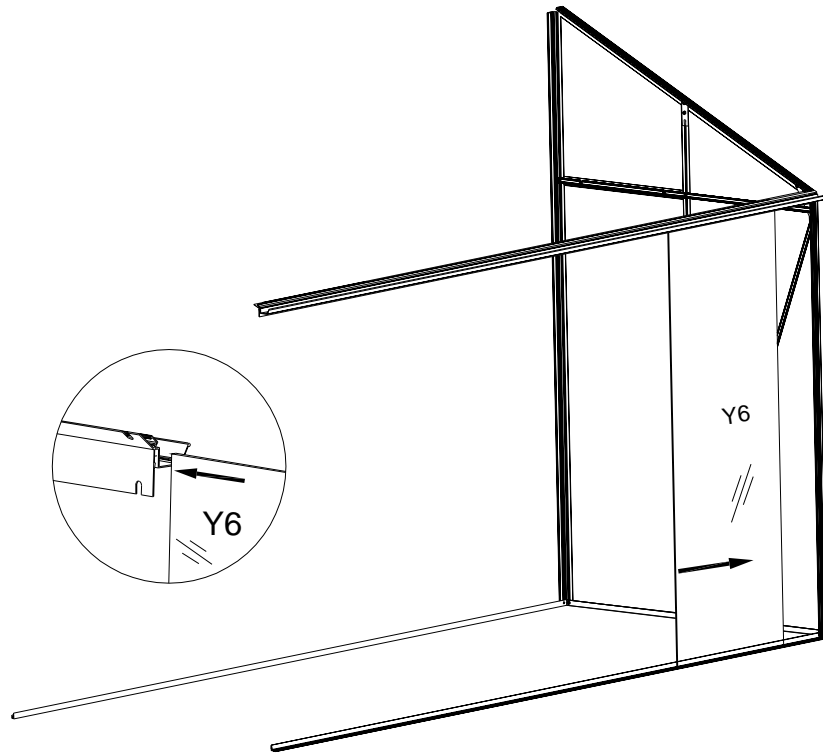
Step 4-10

Part	NO.	QTY.
	L08B	1
	L07	1
	L06	1
	L09	1
	L05C	2
	L05D	2
	L02A	4
	L02B	4
	L03D	1
	L03B	2

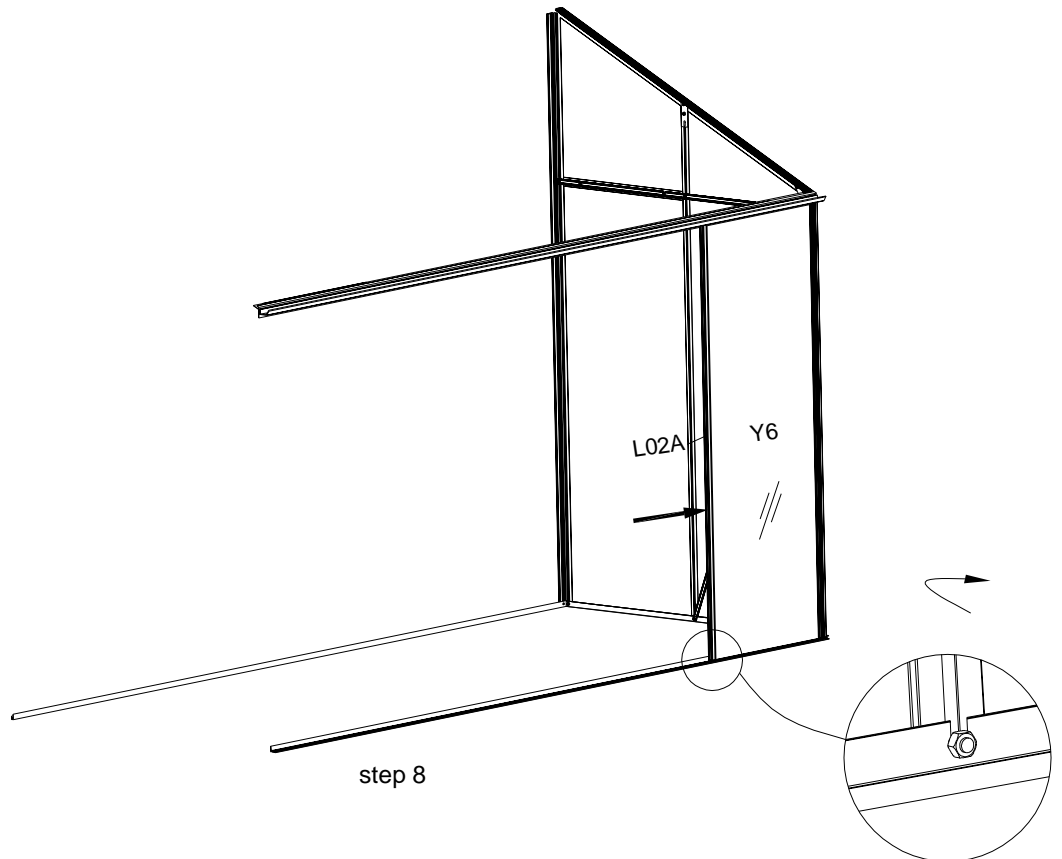
(P12~P19) Assembly

(P4~P7) Rear Frame Assembly

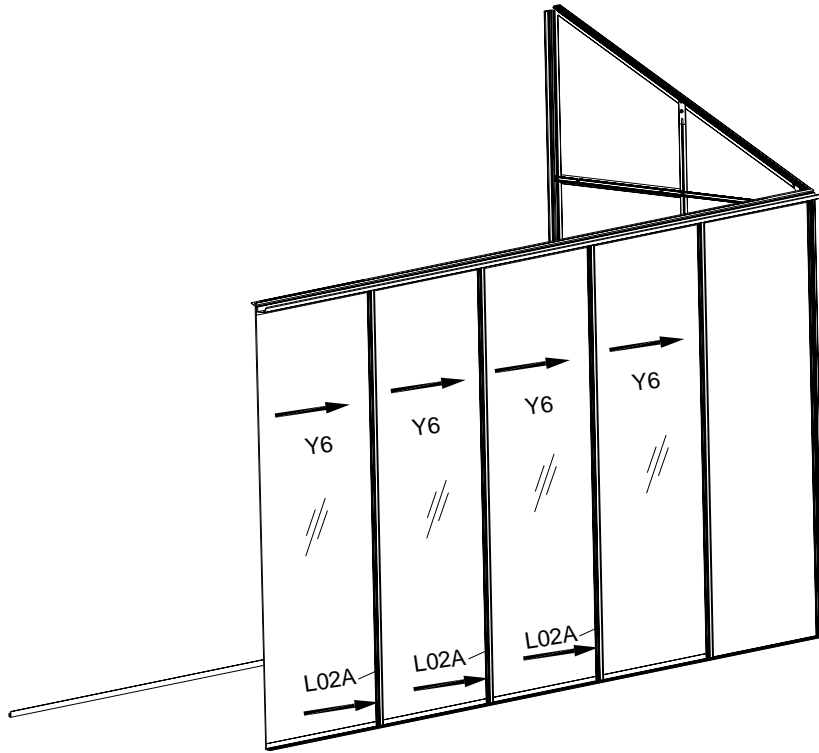




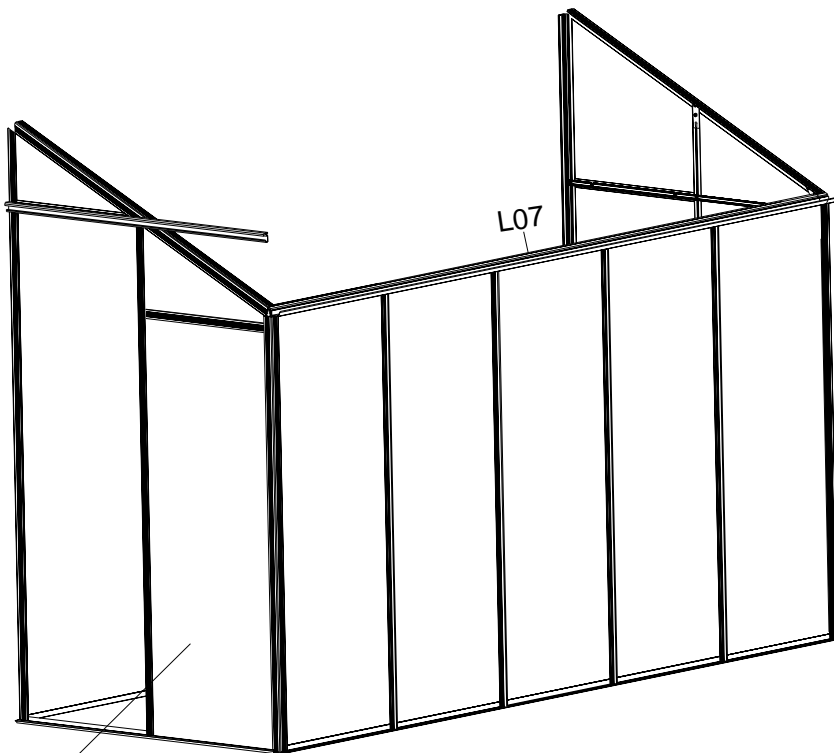
step 7



step 8

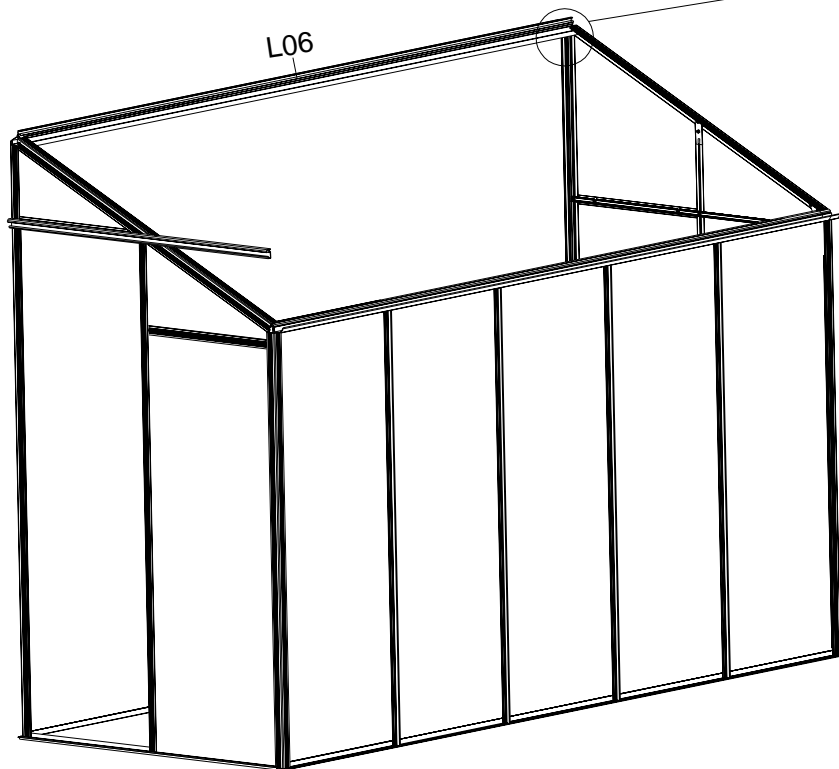


step 9

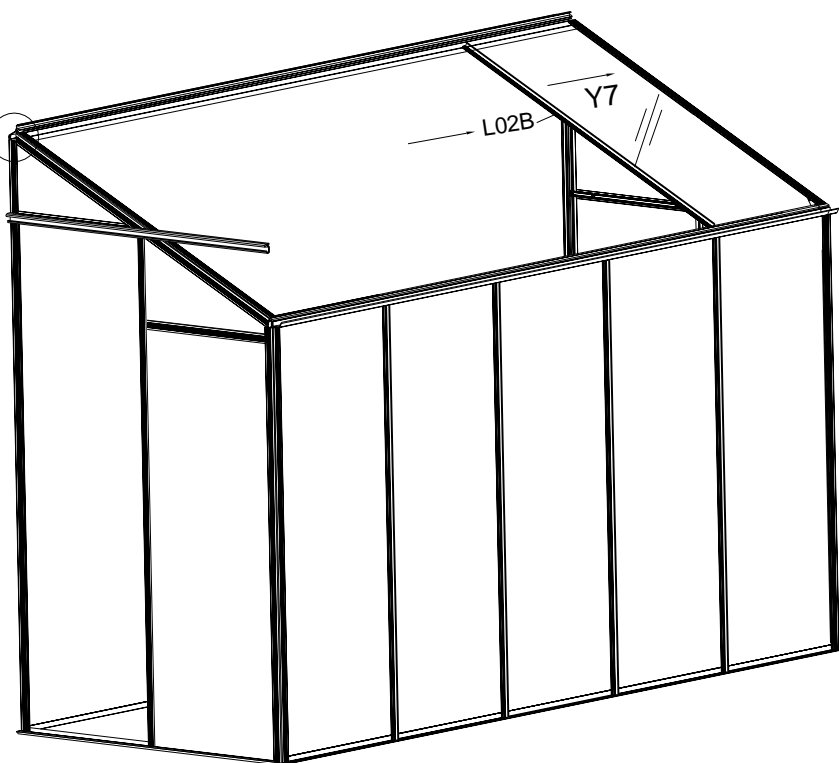
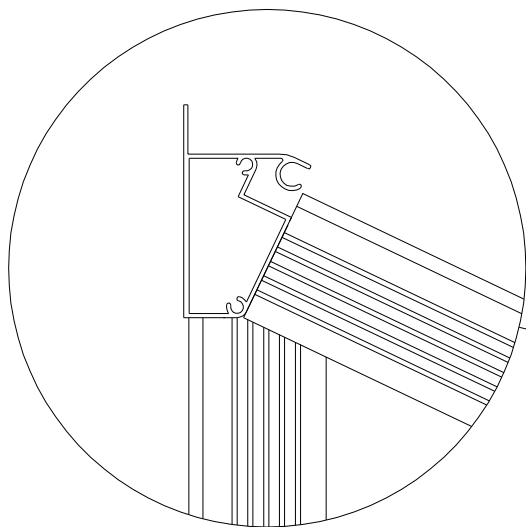


step 10

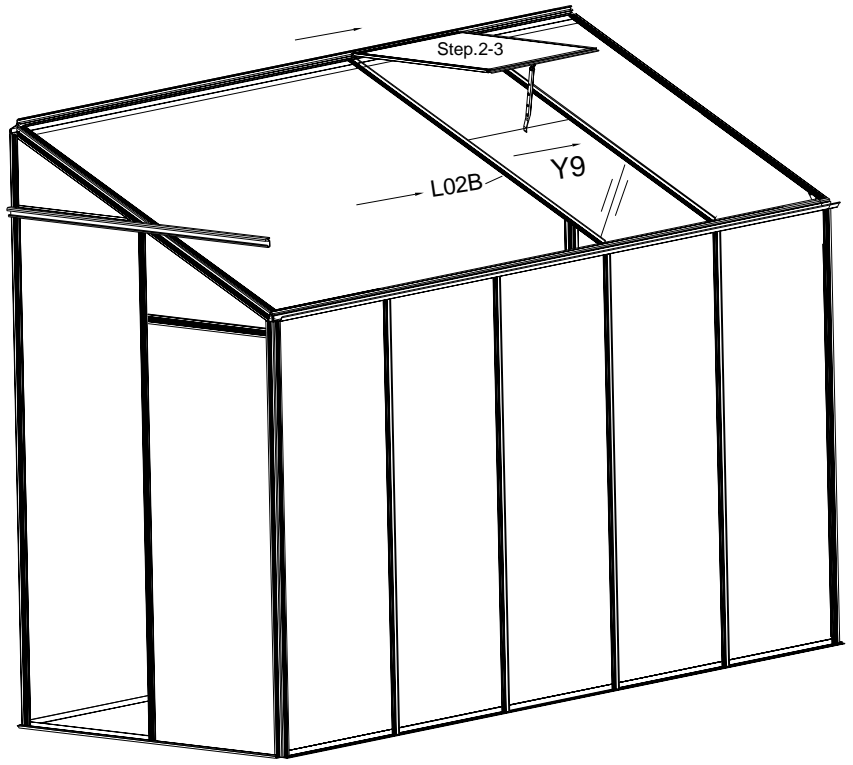
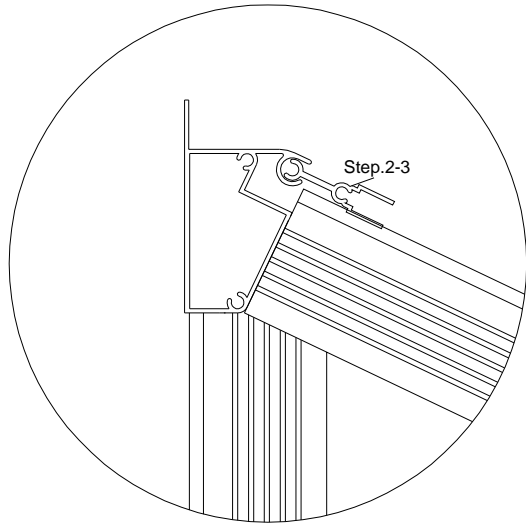
(P8~P11) Assembly



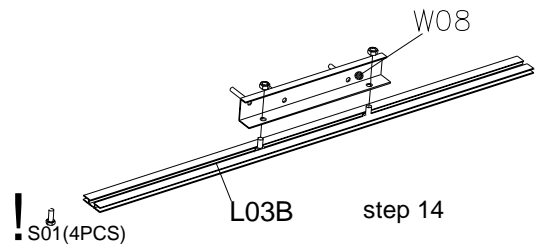
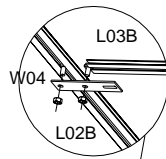
step 11



step 12

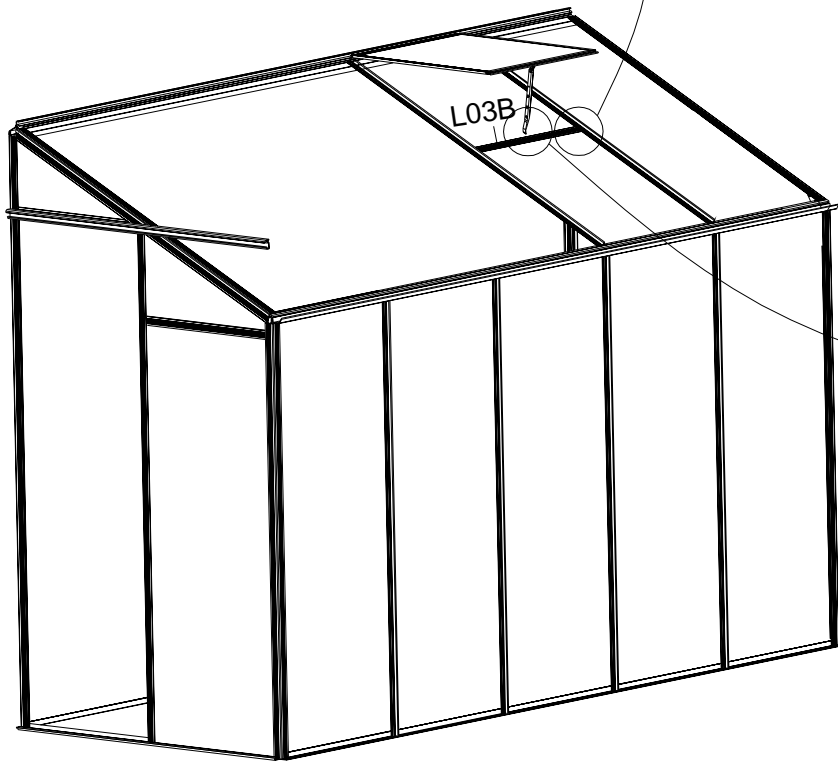


step 13

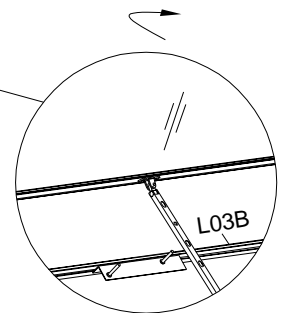


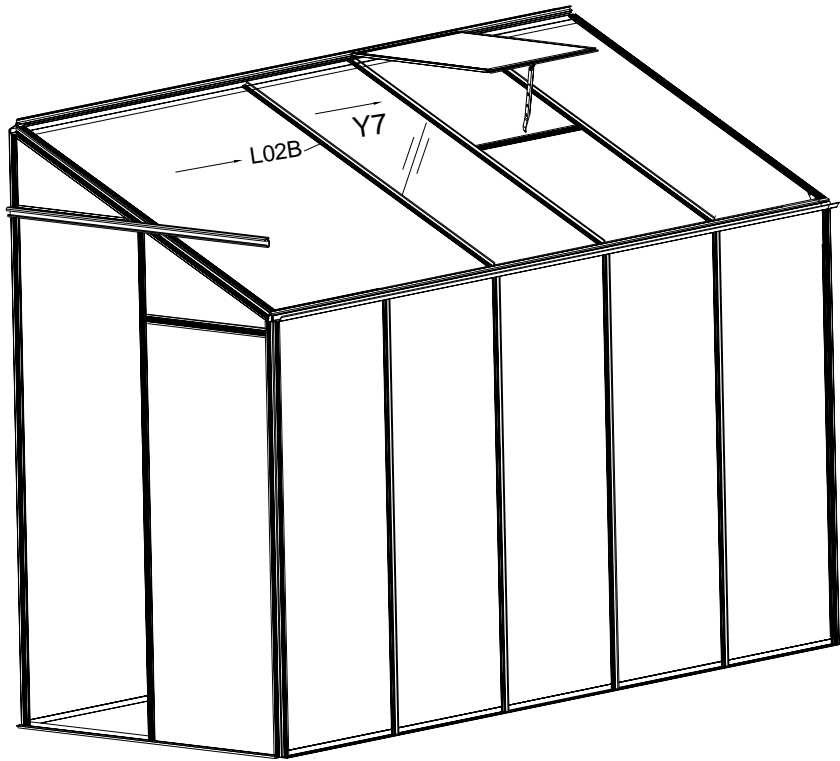
step 14

Do not forget to
put 4pcs S01
into L03B!!

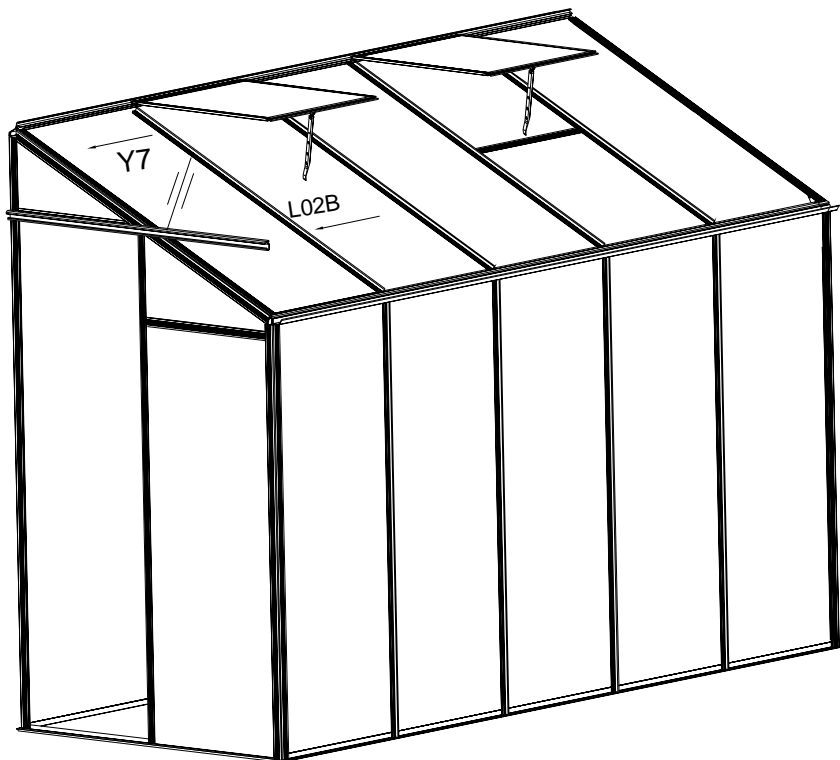


step 15

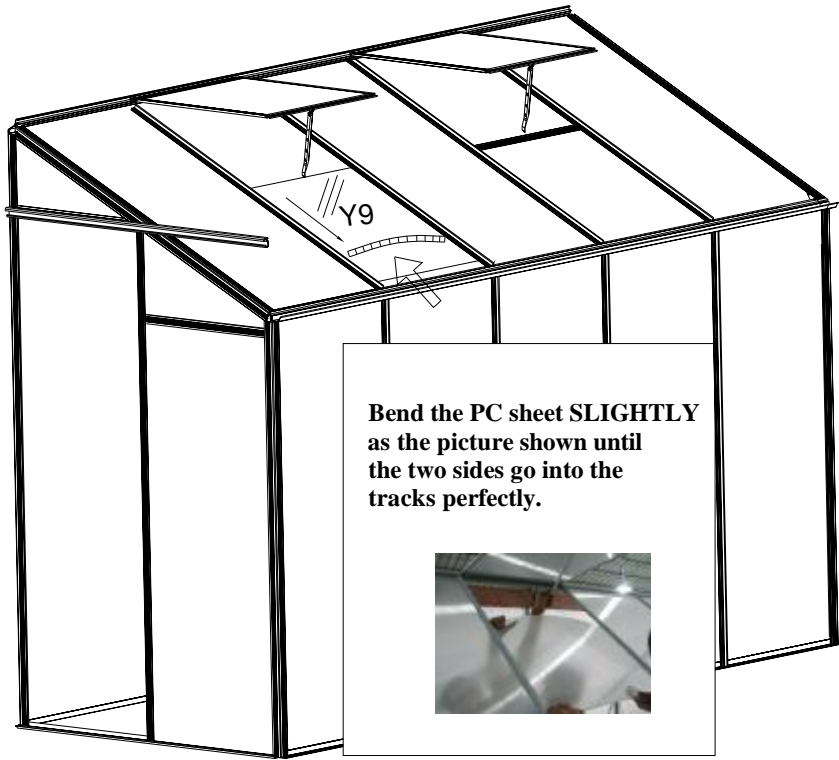




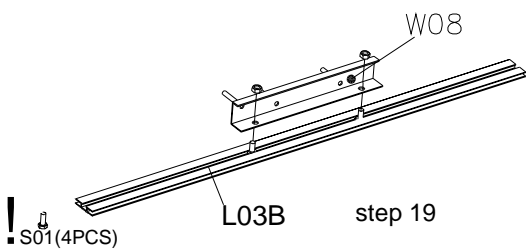
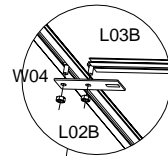
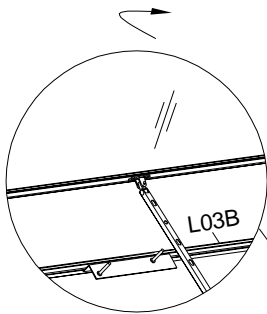
step 16



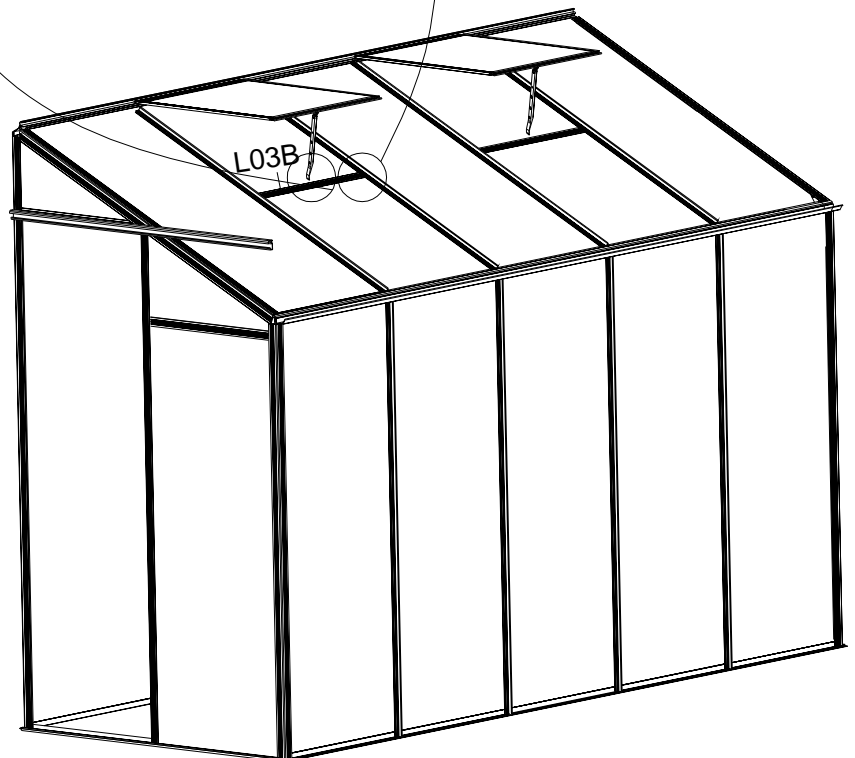
step 17



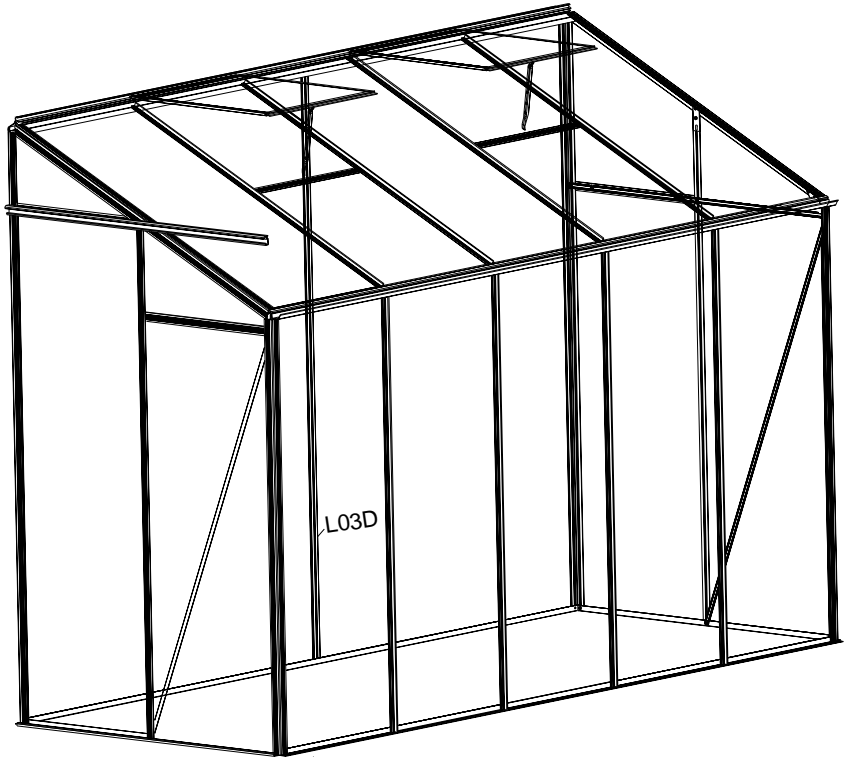
step 18



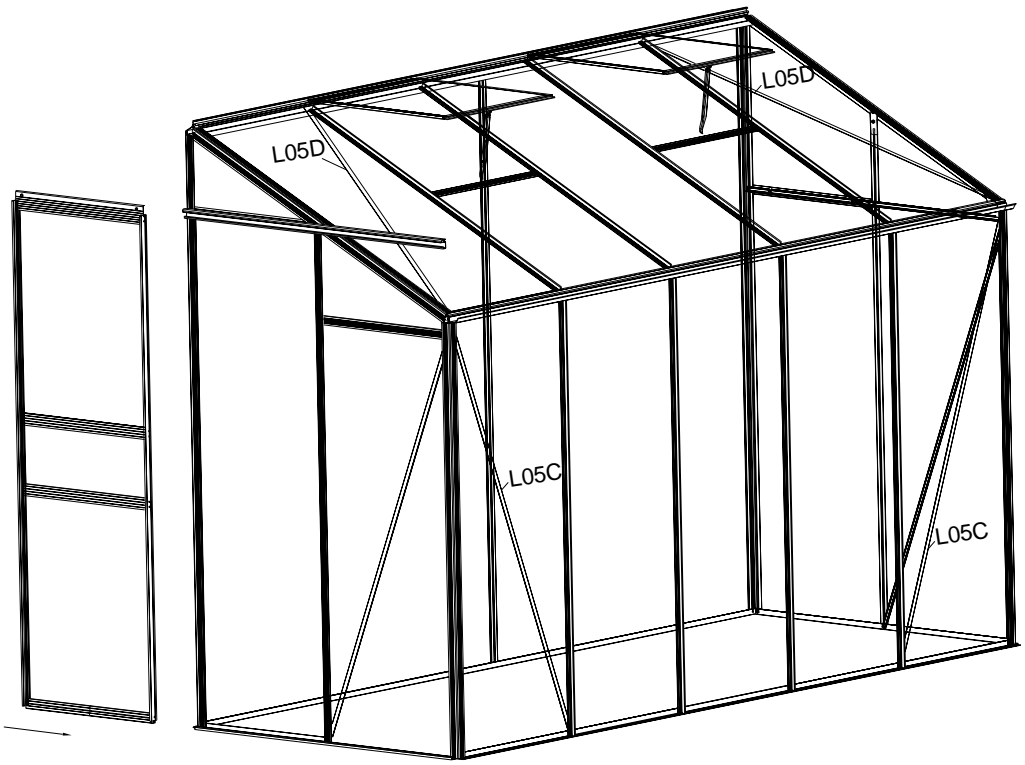
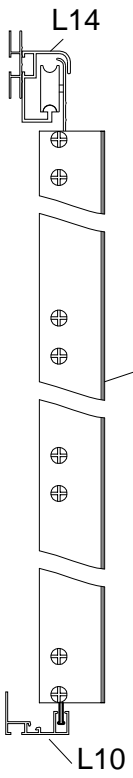
Do not forget to put 4pcs S01 into L03B!!



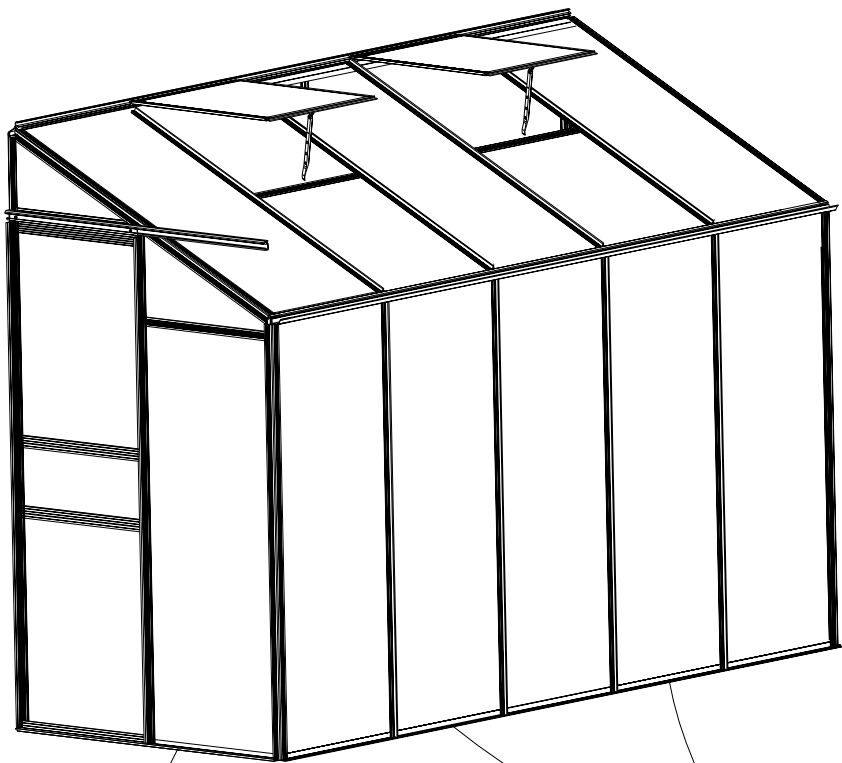
step 20



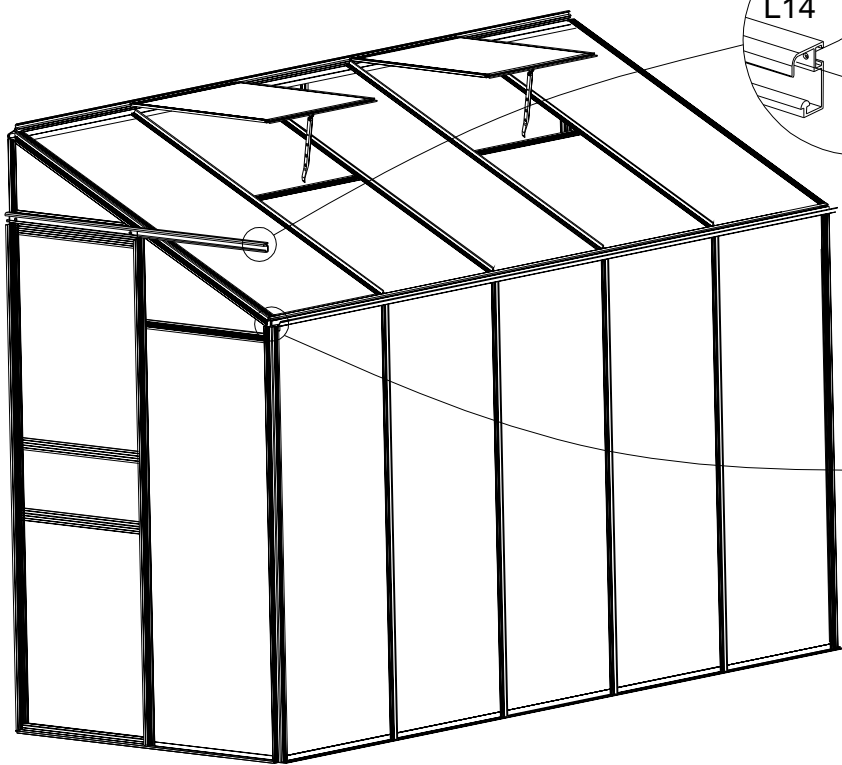
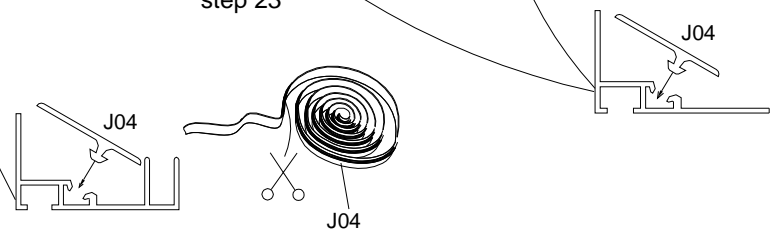
step 21



step 22



step 23



step 24