







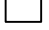



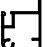




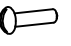

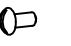



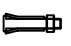
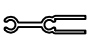


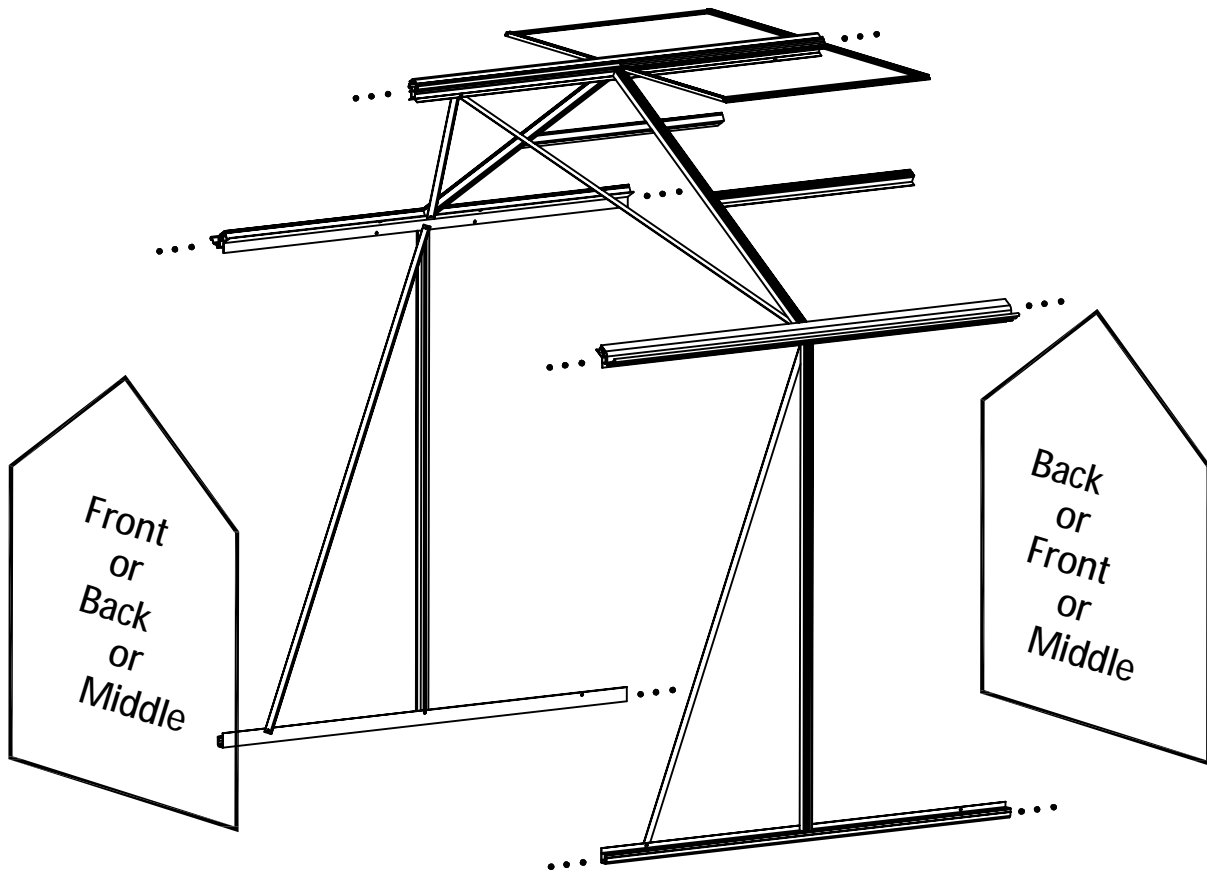
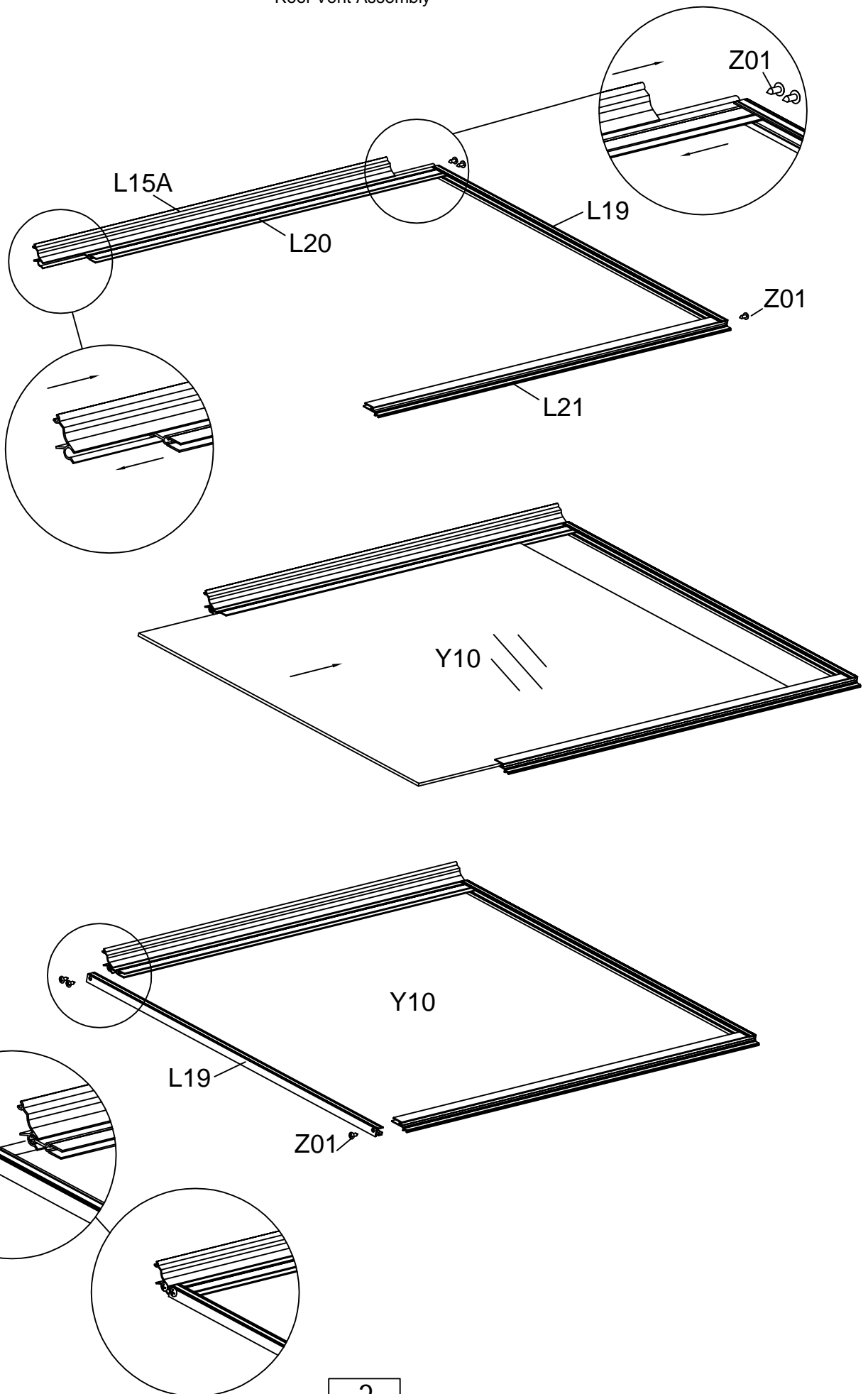


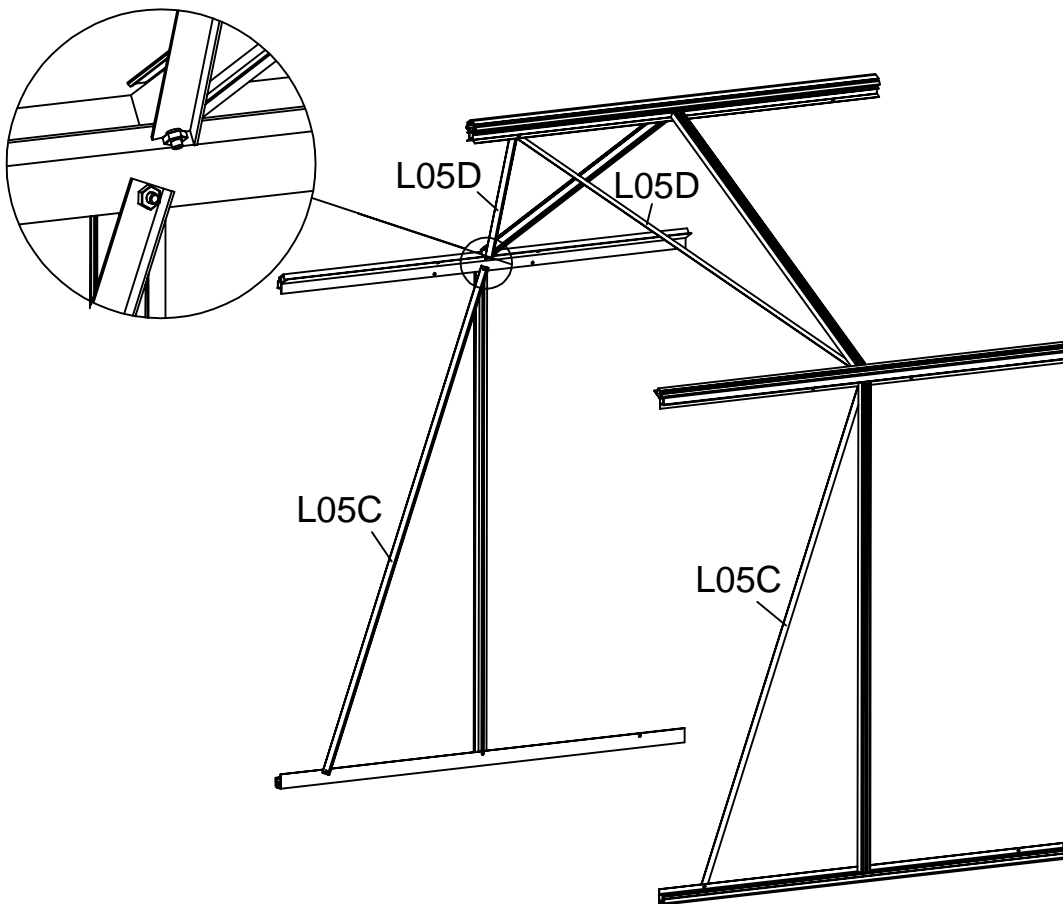
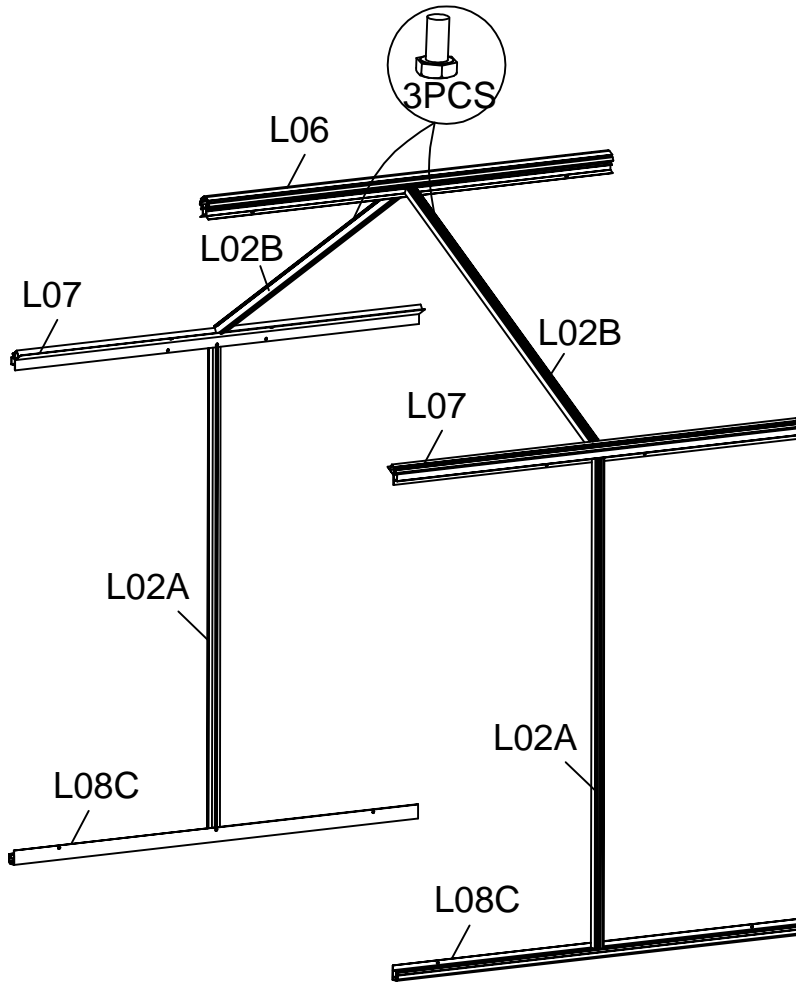
PART	NO.	QTY.	PART	NO.	QTY.	PART	NO.	QTY.
	L02A	2		W06	2		Y6	4
	L02B	2		W08	2		Y7	2
	L06	1		W04	2		Y9	2
	L07	2		S01 M6X10	22		Y10	2
	L08C	2		M01 M6	22			
	L09	2		Z01 Ø4X12D	16			
	L05C	2		Z01 Ø4X16	6			
	L05D	2		Z01 Ø4X8	4			
	L15A	2		W05	4			
	L19	4		S03 M8X60	4			
	L20	2						
	L21	2						
	L04B	2						

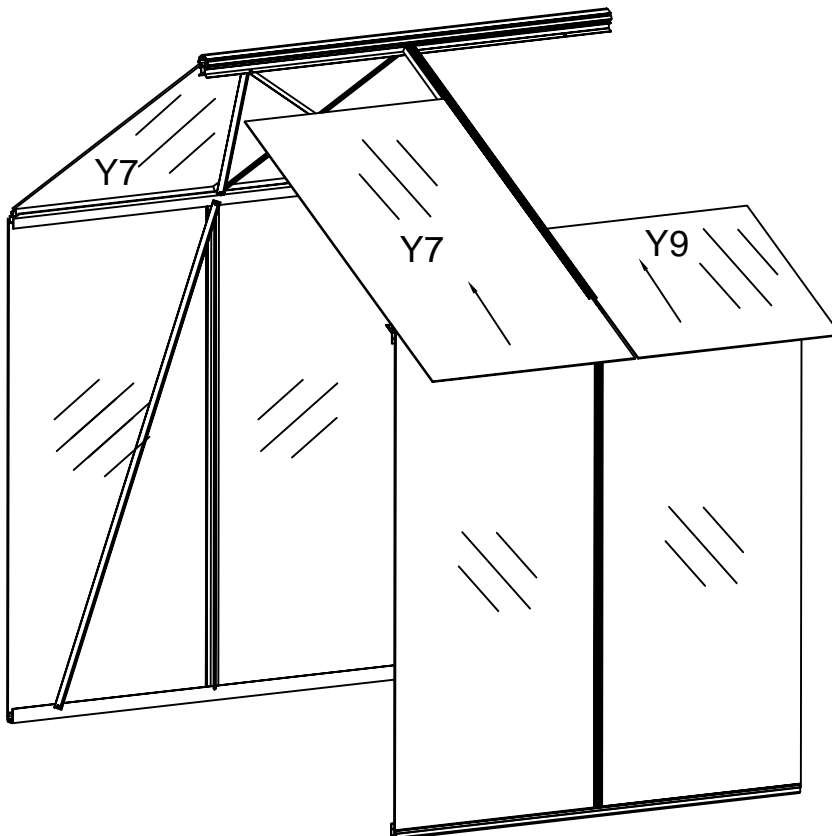
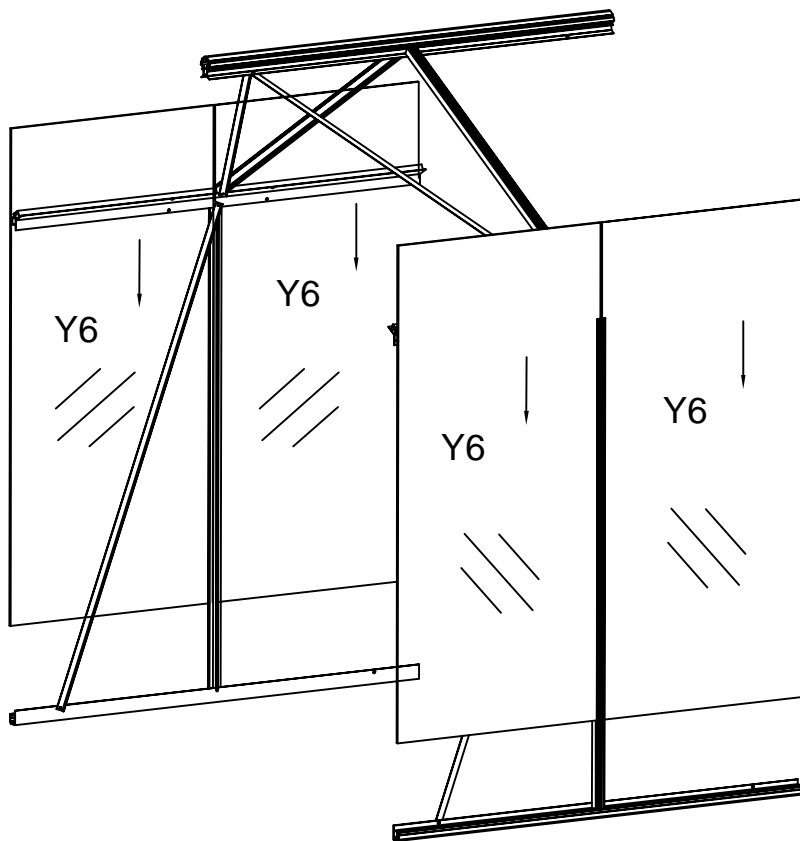
### 2 Sections Assembly Instruction

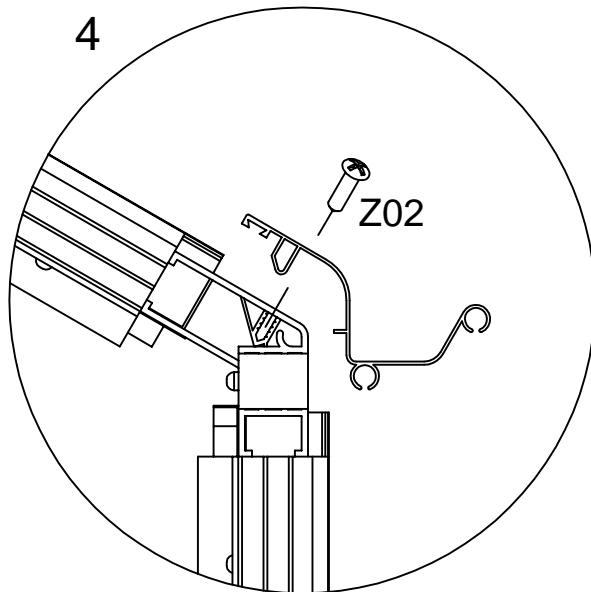
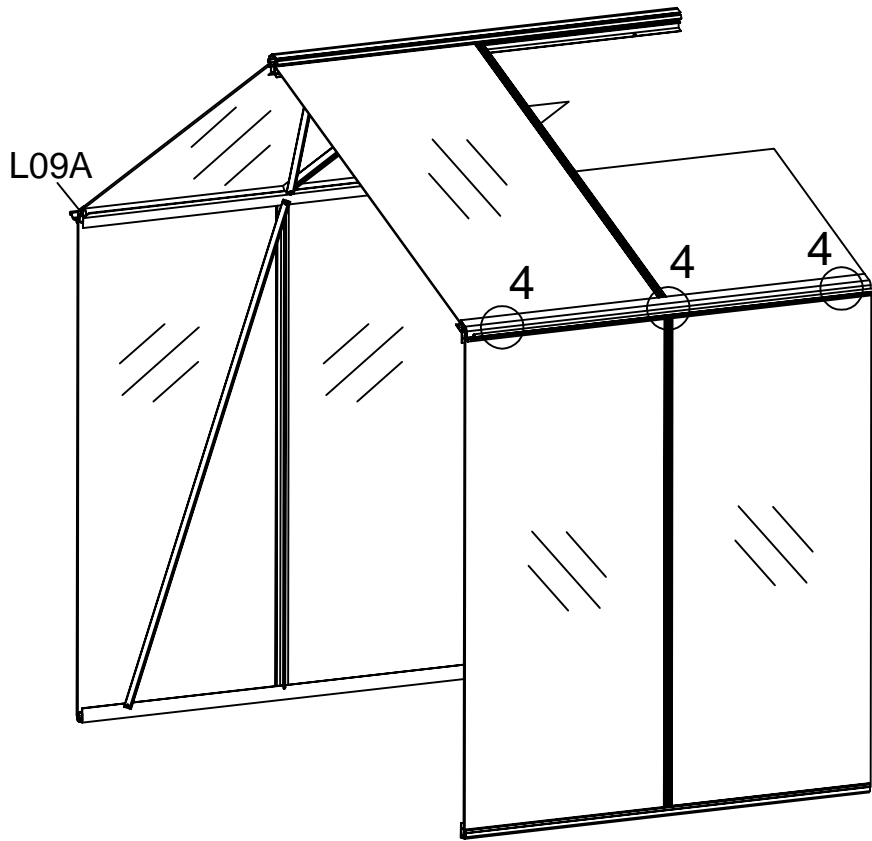


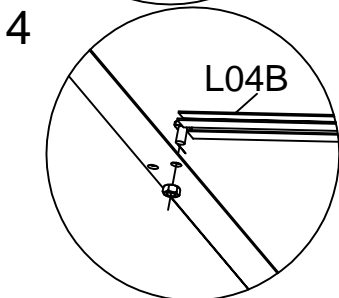
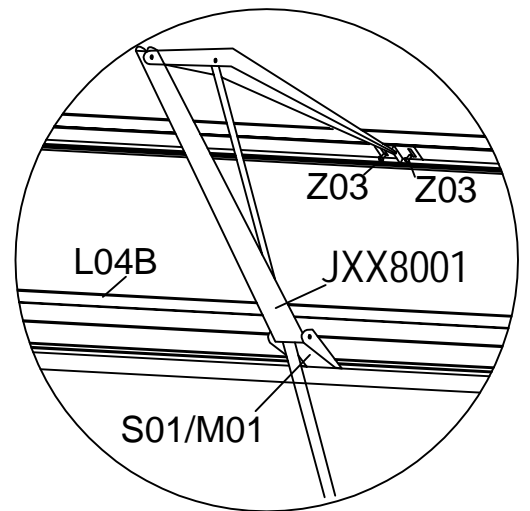
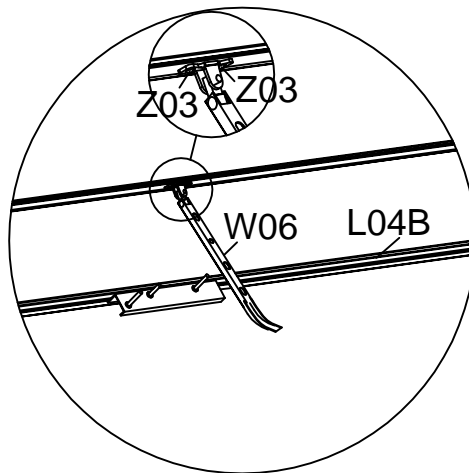
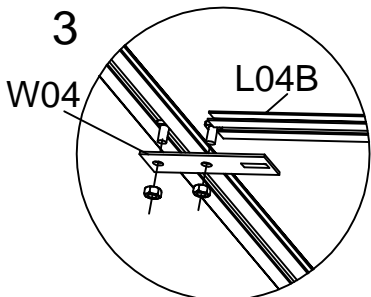
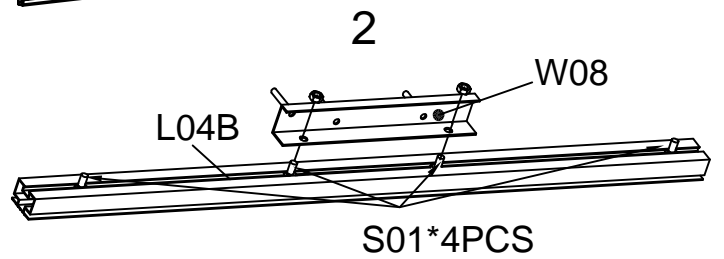
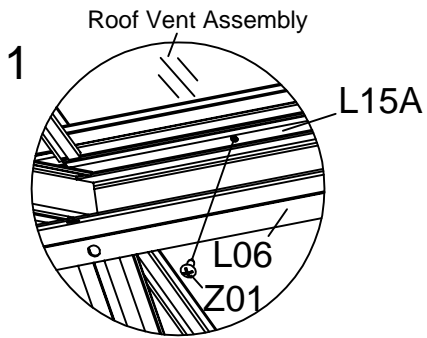
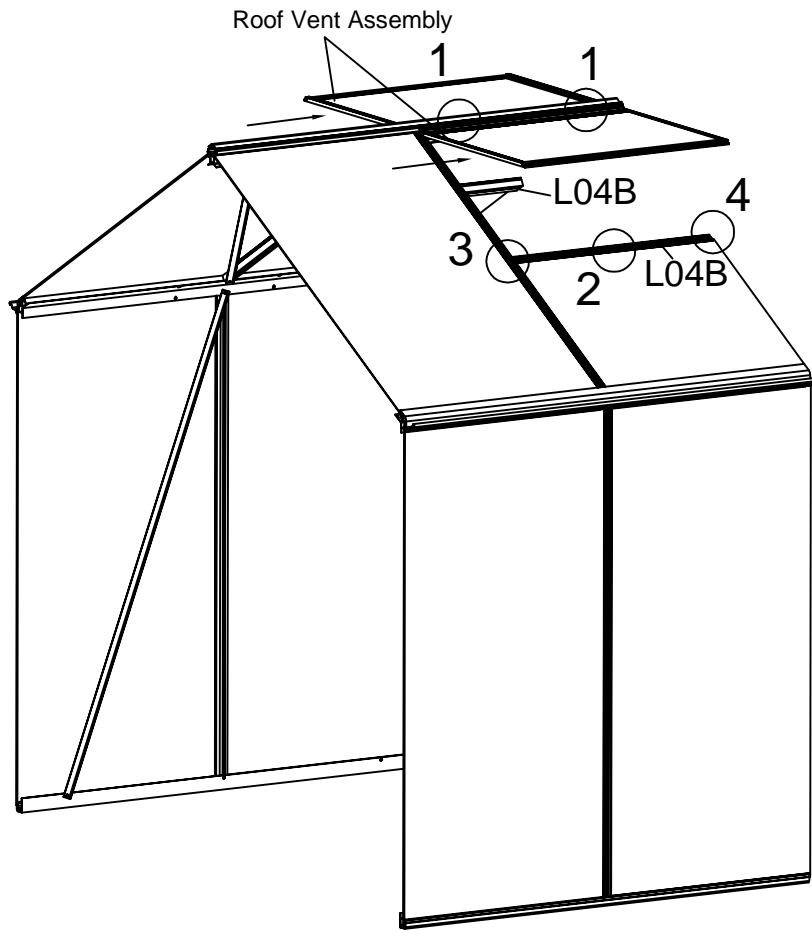
Roof Vent Assembly







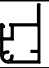













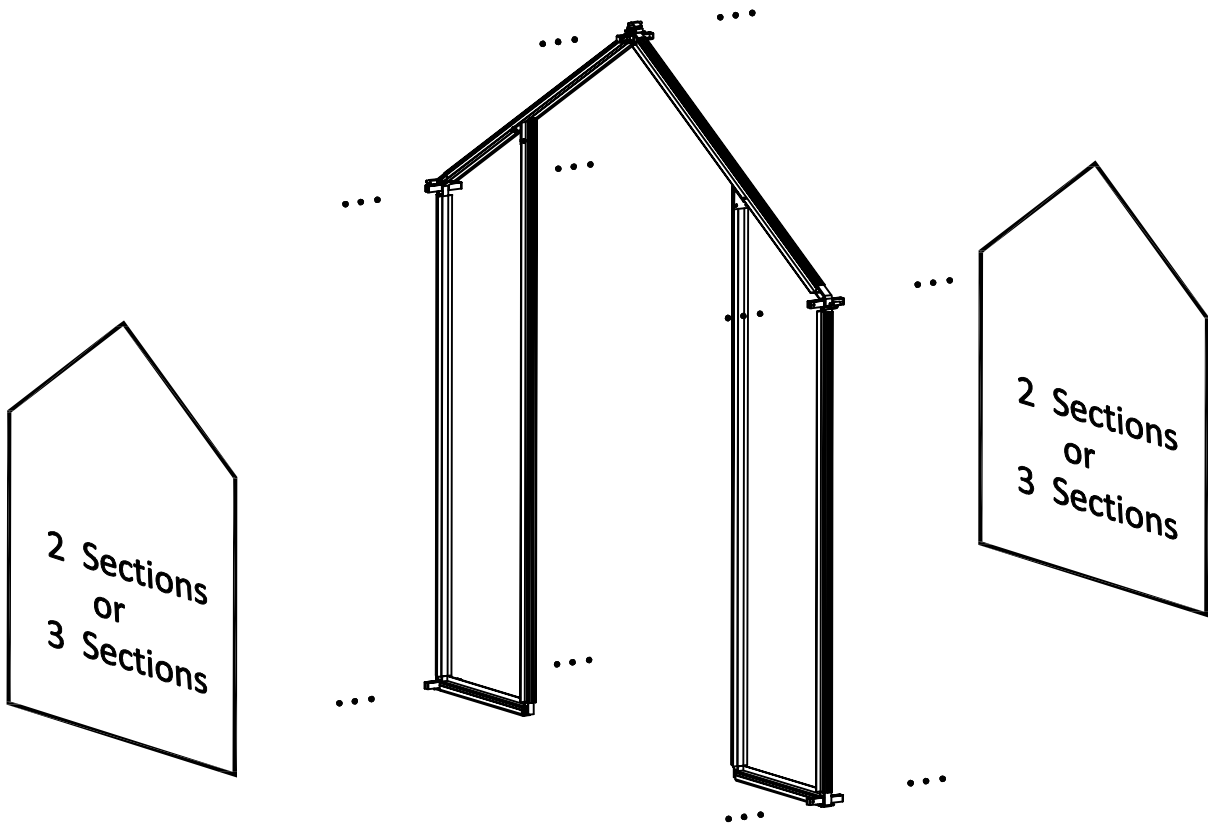


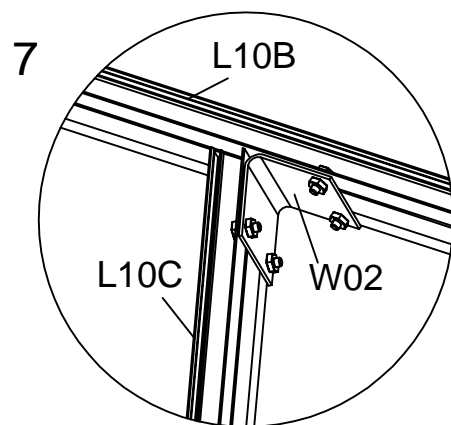
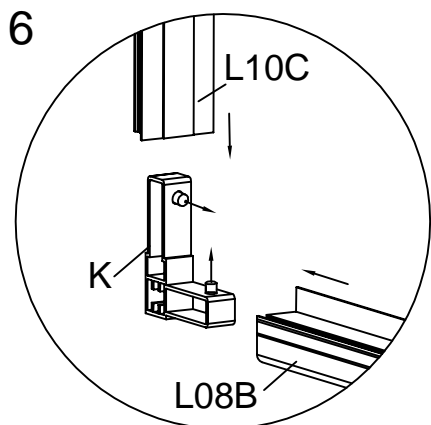
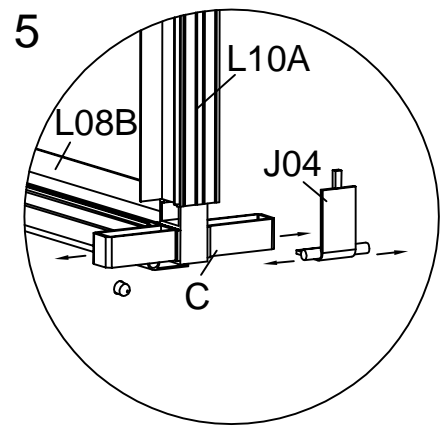
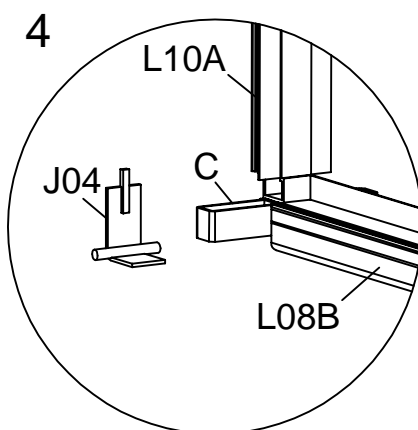
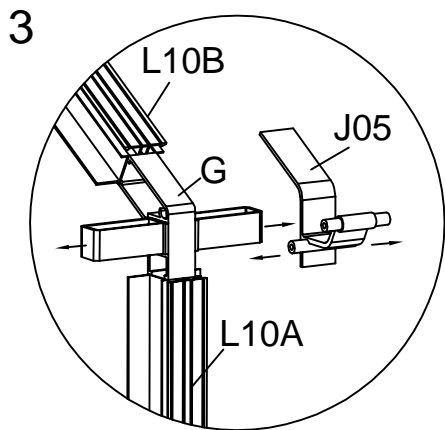
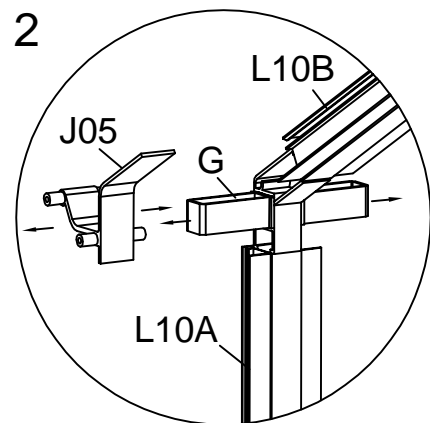
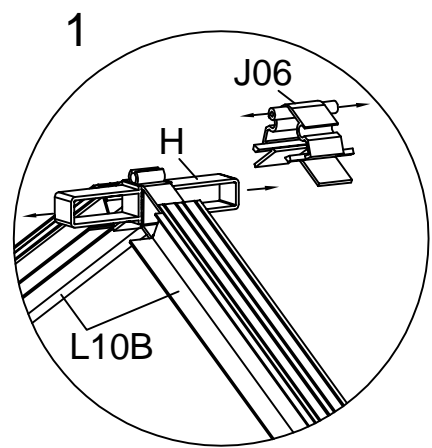
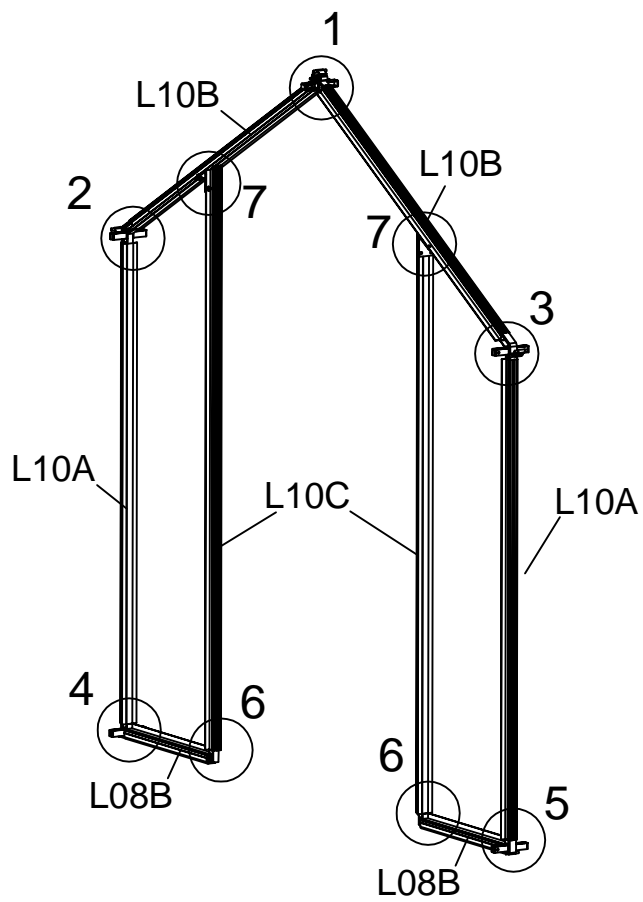




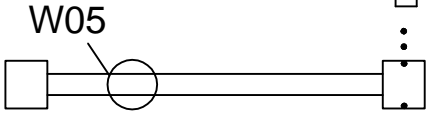
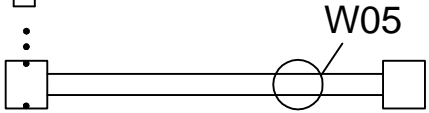
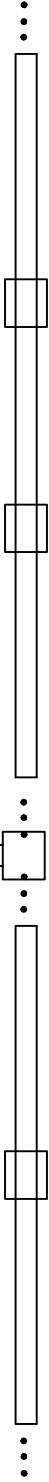
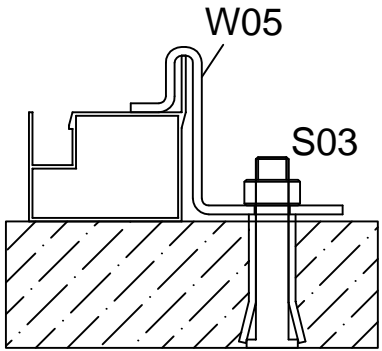
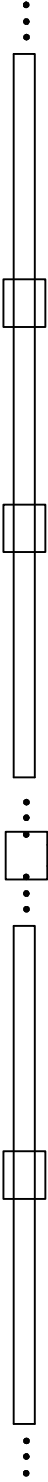
PART	NO.	QTY.	PART	NO.	QTY.
	L10A	2		W02	2
	L10B	2		S01	8
			M6X10		
	L10C	2		M01	8
			M6		
	L08B	2		C	2
				G	2
				H	1
				K	2
				W05	2
				S03	2
			M8X60		
				J04	2
				J05	2
				J06	1

### Middle Section Assembly Instruction









# Example of GM33305

